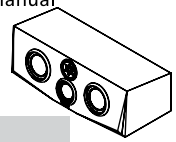


8|ACOUSTICS



Raiya-TX | User Manual



SPECIFICATIONS

Technical Specifications

Frequency range	: 45 - 32000 Hz
Sensitivity (2.83V / 1m)	: 88 dB
Nominal impedance	: 8 Ω
Max SPL	: 105 dB
Recommended amplifier	: 30-120 W
Cross-over frequency	: 450 Hz & 2800 Hz
Speaker type	: 3-way center speaker
Enclosure type	: Bass reflex (woofer), sealed (midrange)
Port tuning frequency	: 36 Hz

Drive Units

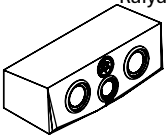
High frequency driver	: SATORI TW29TXN-B-8
Mid frequency driver	: 5" SATORI MR13TX-4
Low frequency drivers	: 6.5" SATORI MW16TX-4 x 2

Cabinet

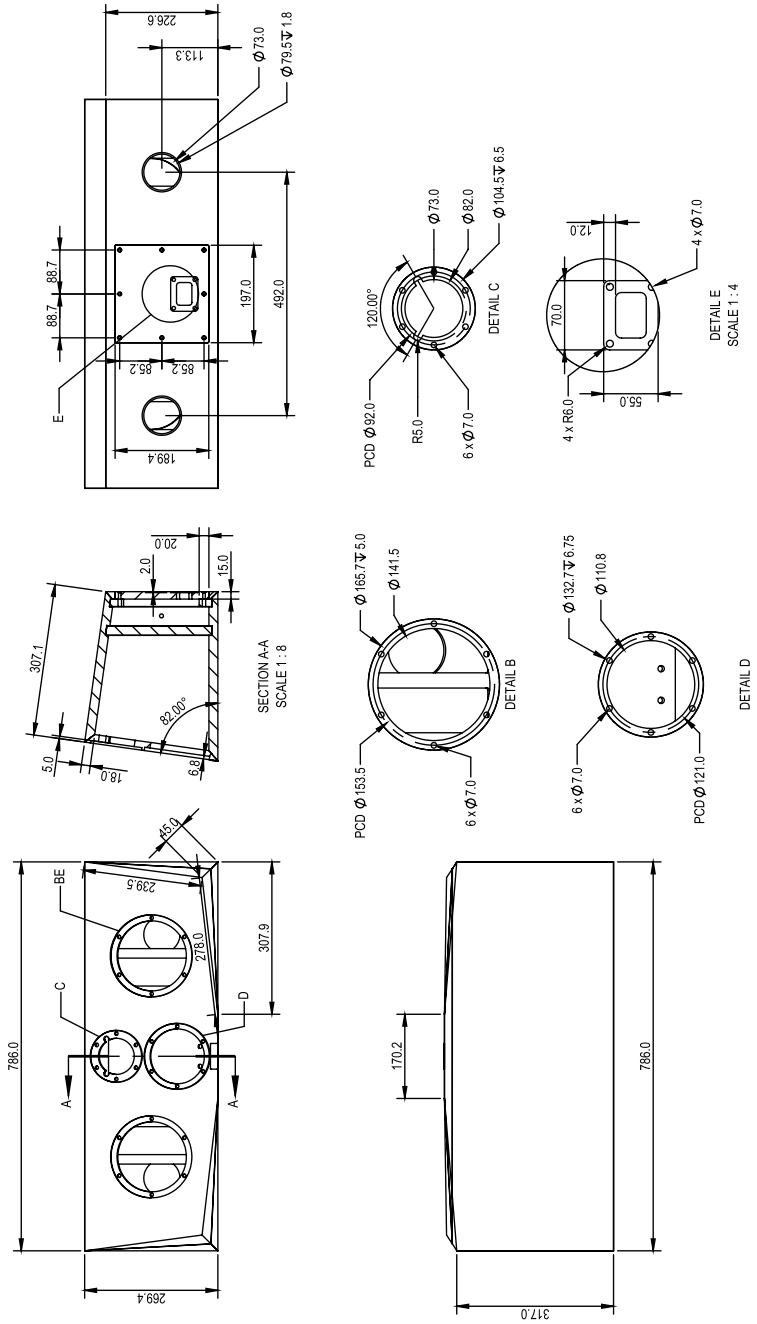
15mm & 18mm MDF	
Dimensions (H x W x D)	: 270 x 786 x 342 mm / 10.6 x 30.9 x 13.5 inch

Net Weight (Piece)

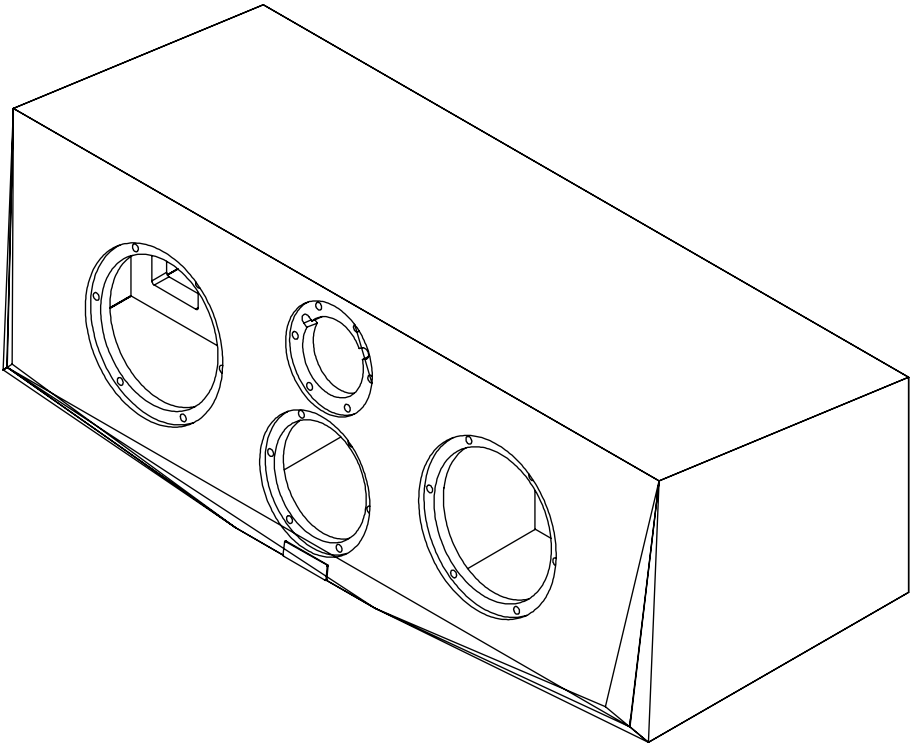
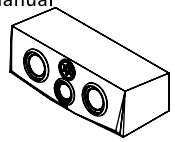
Full assembly	: 23.6 kg / 52 lb
---------------	-------------------

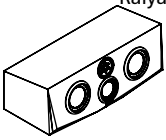


MECHANICAL DRAWING (Dimensions in mm)

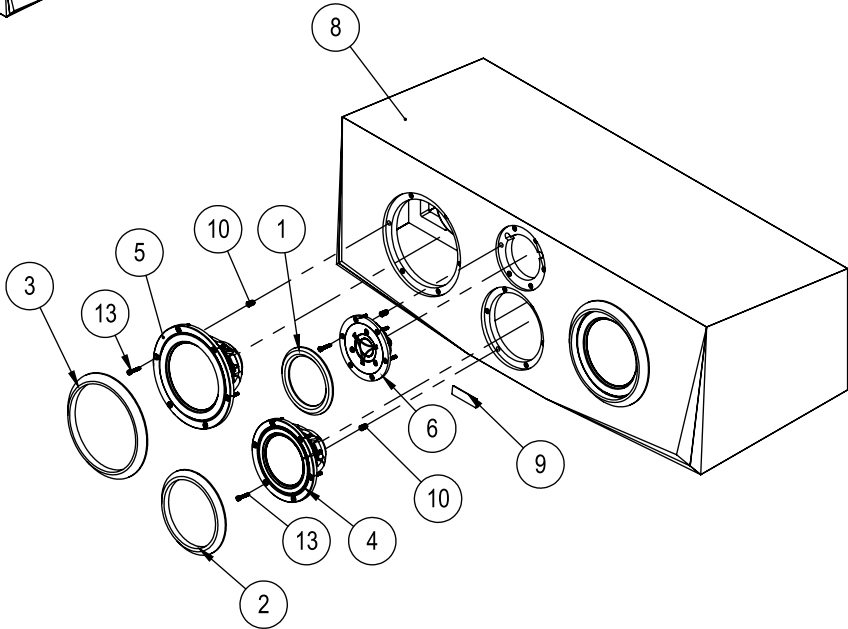


MECHANICAL DRAWING (Dimensions in mm)



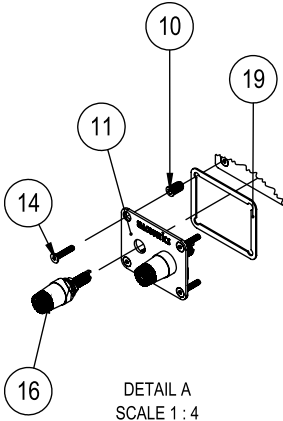
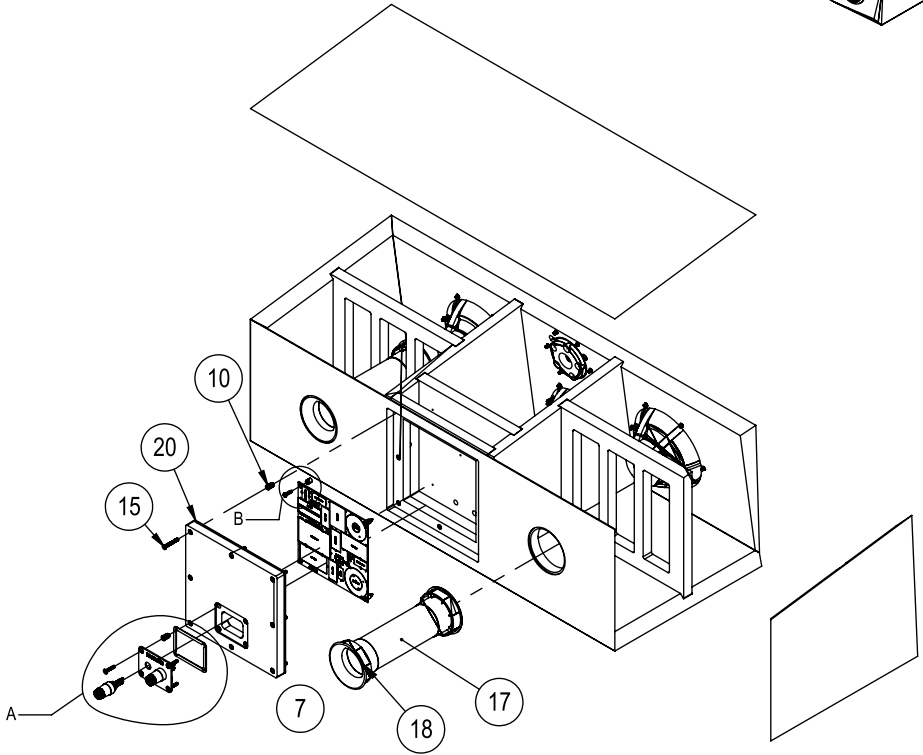
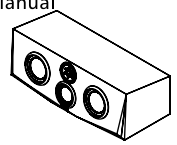


EXPLODED VIEW

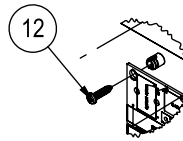


ITEM NO.	DESCRIPTION	QTY.
1	TWEETER GRILL	1
2	MIDRANGE GRILL	1
3	WOOFER GRILL	2
4	SB ACOUSTICS - 5in SATORI MR13TX-4	1
5	SB ACOUSTICS - 6.5in SATORI MW16TX-4	2
6	SB ACOUSTICS - SATORI TW29TXN-B-8	1
7	CROSSOVER SBA RAIYA	1
8	RAIYA CABINET	1
9	NAME PLATE SB ACOUSTICS	1
10	INSERT NUT M4 (INSTALLED)	36
11	STAINLESS STEEL TERMINAL PANEL	1
12	PHILLIPS ROUND PAN SCREW M4x16	6
13	HEXAGON SOCKET SCREW M4x20	24
14	COUNTERSUNK SCREW M4x20	4
15	COUNTERSUNK SCREW M4x30	8
16	BINDING POST	1
17	PORT TUBE	2
18	PORT FLARE	4
19	GASKET FOR TERMINAL PLATE	1
20	GASKET FOR TERMINAL BOARD	1

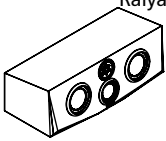
EXPLODED VIEW



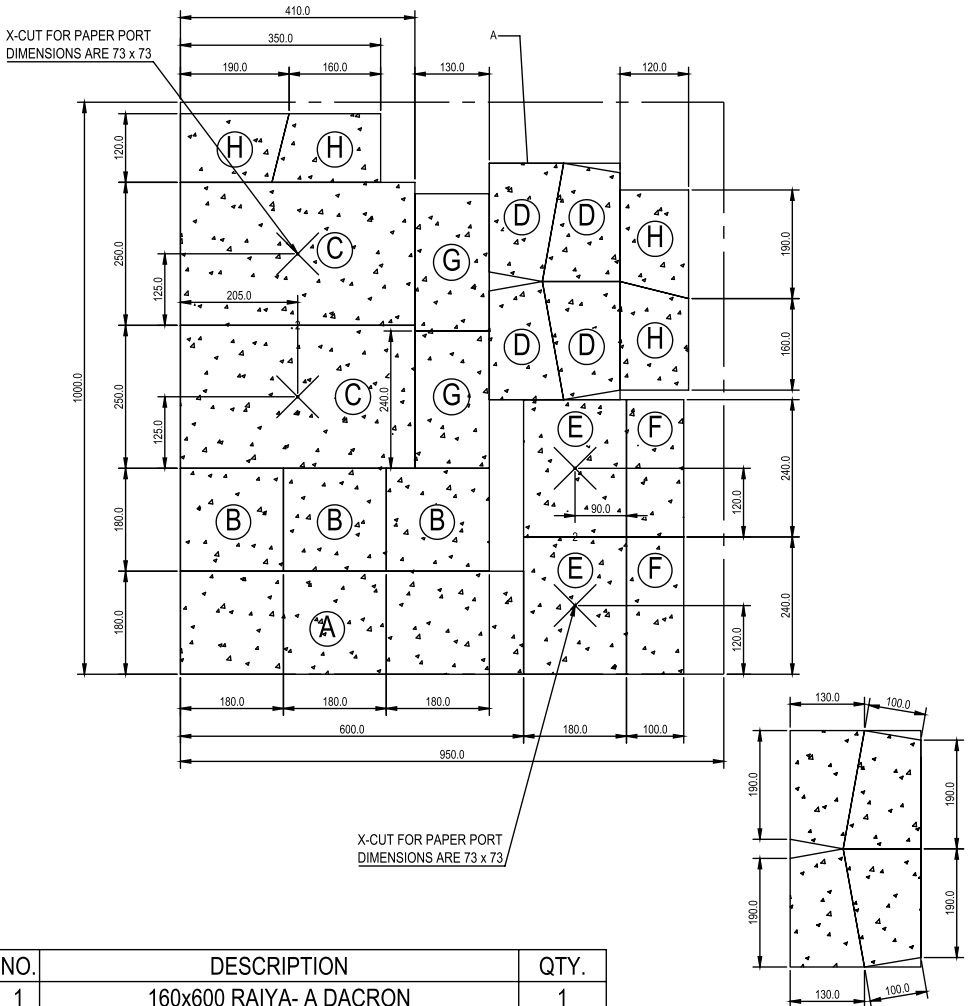
DETAIL A
SCALE 1 : 4



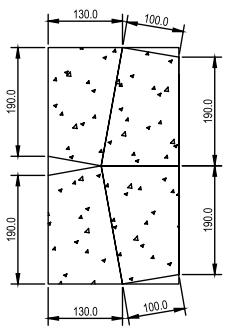
DETAIL B
SCALE 1 : 3



DAMPING MATERIAL CUT PATTERN (Dimension in mm)

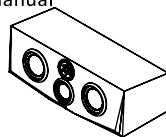


X-CUT FOR PAPER PORT
DIMENSIONS ARE 73 x 73



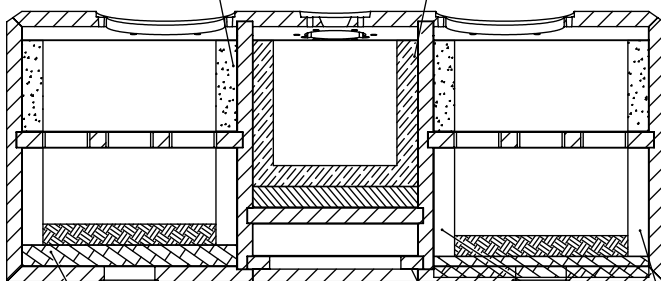
NO.	DESCRIPTION	QTY.
1	160x600 RAIYA- A DACRON	1
2	180x180 RAIYA- B DACRON	3
3	250x410 RAIYA - C DACRON	2
4	120x190x120x160 RAIYA - D DACRON	4
5	180 x 240 RAIYA - E DACRON	2
6	100x240 RAIYA - F DACRON	2
7	130x240 RAIYA - G DACRON	2
8	130x210x100x190 RAIYA - H DACRON	4

DAMPING MATERIAL POSITION (Dimensions in mm)



DAMPING MATERIAL H
DACRON 300 gr/m² t:20mm
Size: 130 mm x 210 mm x 100 mm x 190 mm
1 Layer Front Left - Right

DAMPING MATERIAL B
DACRON 300 gr/m² t:20mm
Size: 180 mm x 180 mm
1 Layer Back - Left - Right



SECTION VIEW A

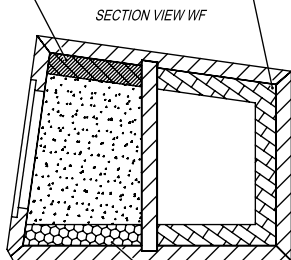
DAMPING MATERIAL E
DACRON 300 gr/m² t:20mm
Size: 180 mm x 240 mm
1 Layer Back

DAMPING MATERIAL D
DACRON 300 gr/m² t:20mm
Size: 120 mm x 190 mm x 120 mm x 160 mm
1 Layer U Rear Left - Right

DAMPING MATERIAL F
DACRON 300 gr/m² t:20mm
Size: 100 mm x 240 mm
1 Layer Front Top

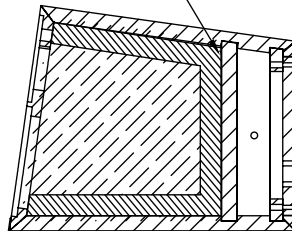
DAMPING MATERIAL C
DACRON 300 gr/m² t:20mm
Size: 250 mm x 410 mm
1 Layer U - Fold Top - Back - Bottom

DAMPING MATERIAL A
DACRON 300 gr/m² t:20mm
Size: 160 mm x 600 mm
1 Layer U - Fold Top - Back - Bottom

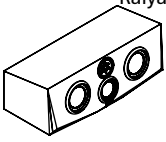


SECTION VIEW WF

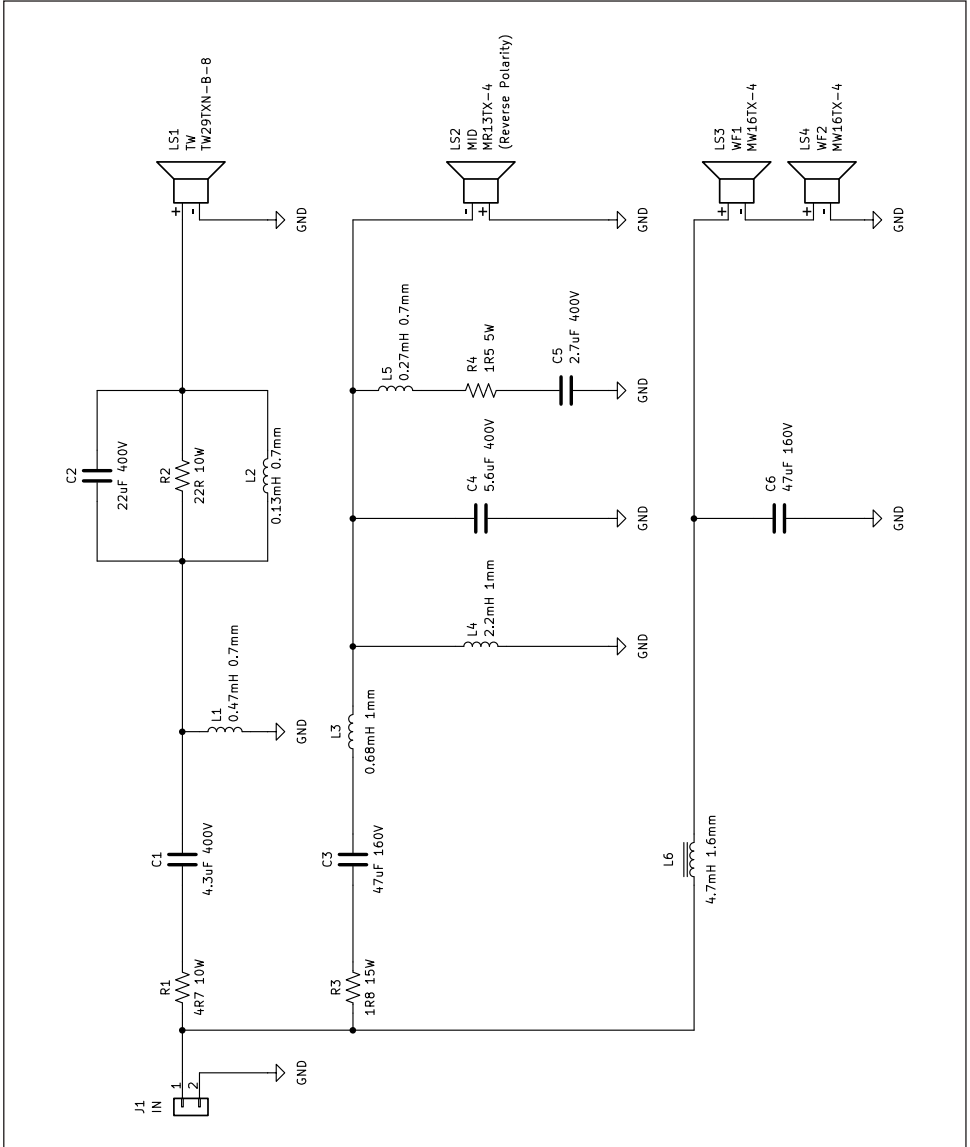
DAMPING MATERIAL G
DACRON 300 gr/m² t:20mm
Size: 130 mm x 240 mm
1 Layer Front Bottom



SECTION VIEW MID



CROSSOVER SCHEMATIC



Find Us On



www.sbacoustics.com