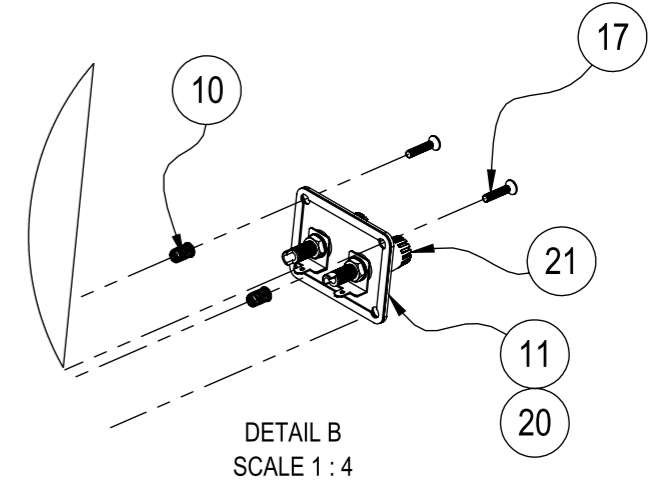
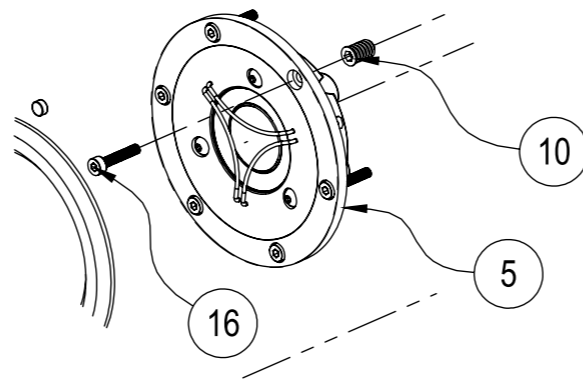
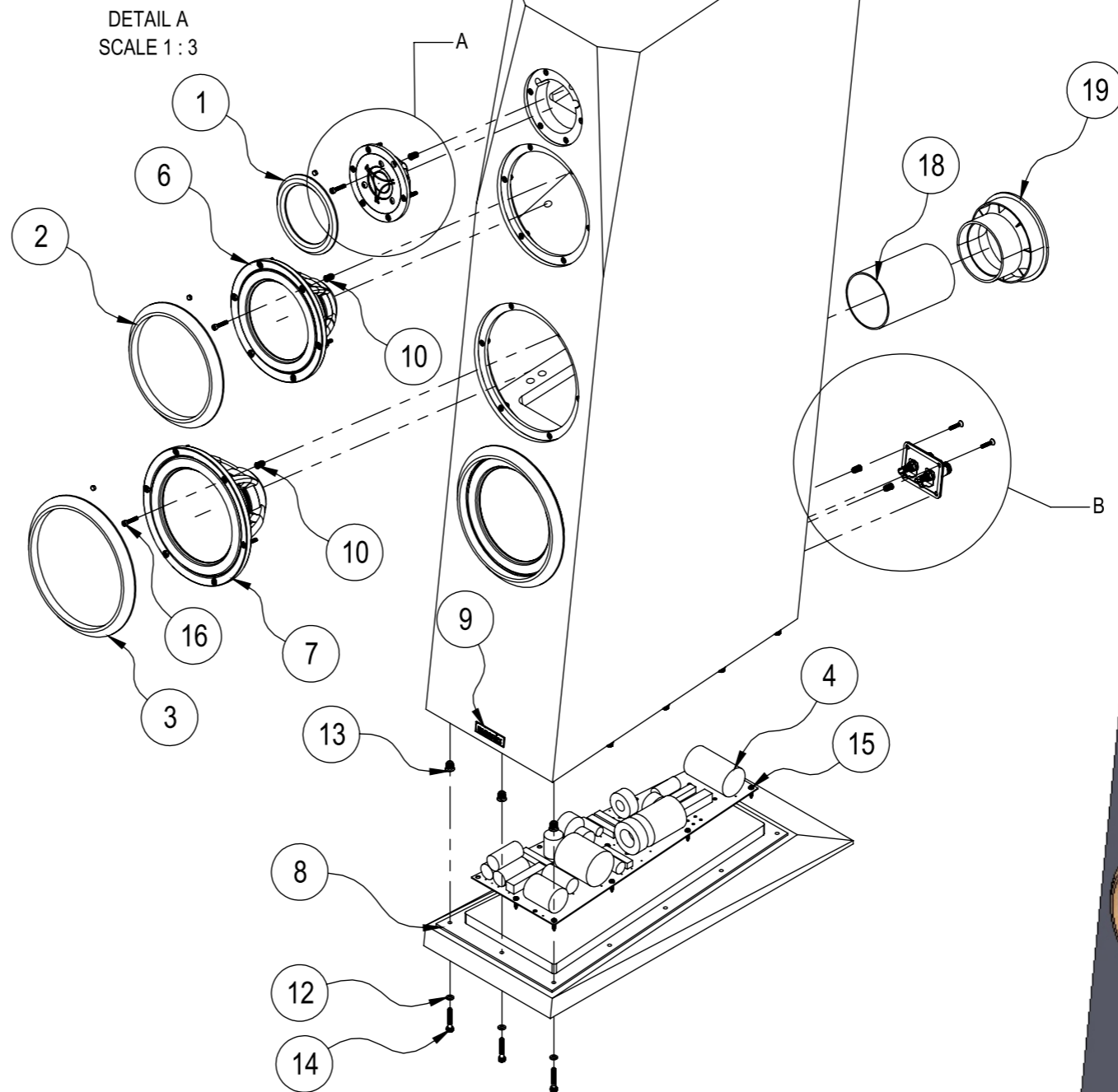


SASANDU KIT - EXPLODE VIEW

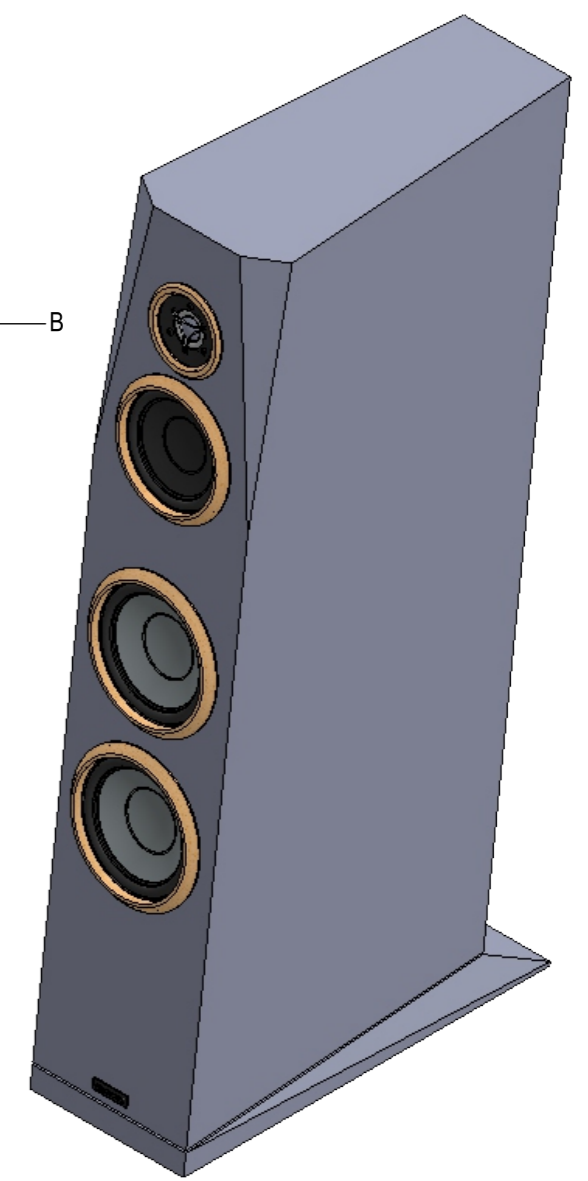


DETAIL B
SCALE 1:4

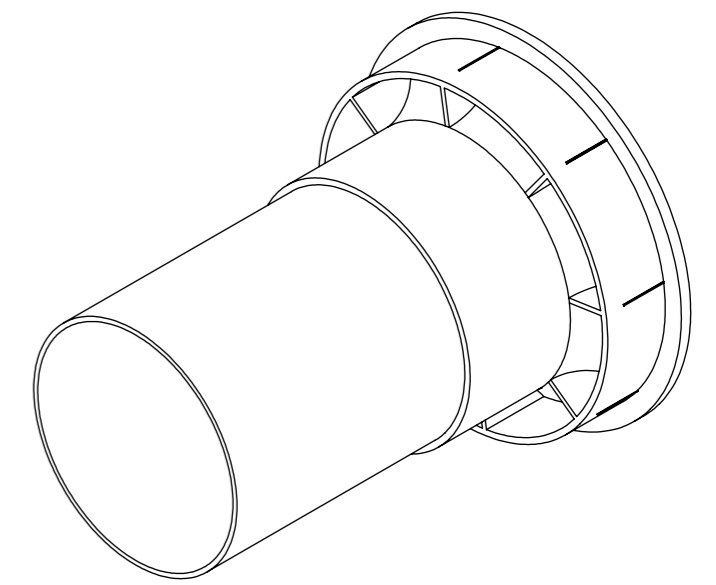
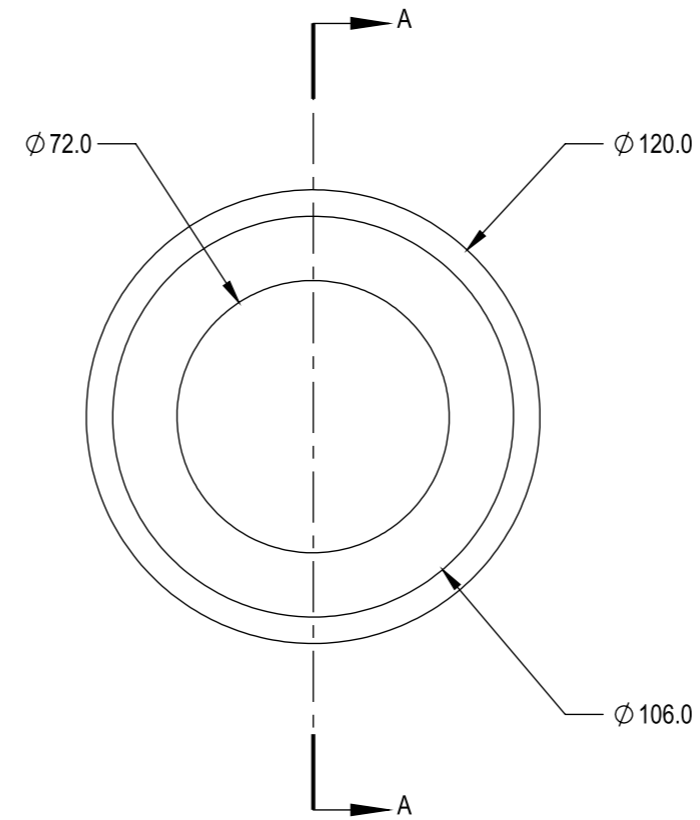
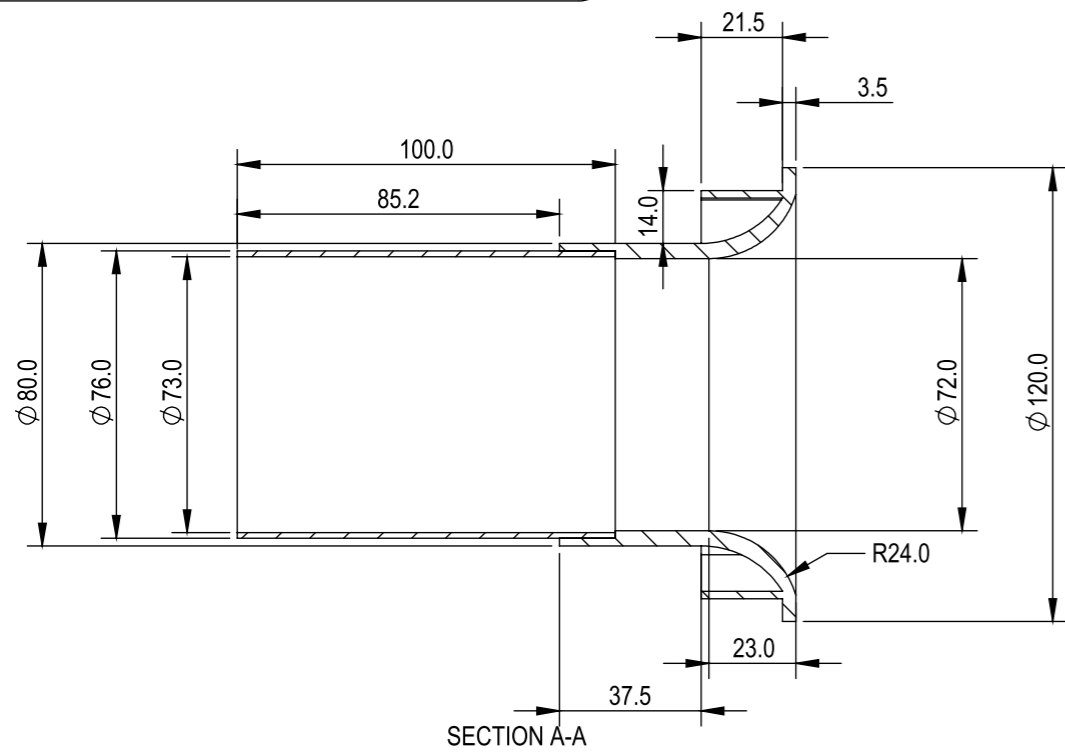


DETAIL A
SCALE 1:3

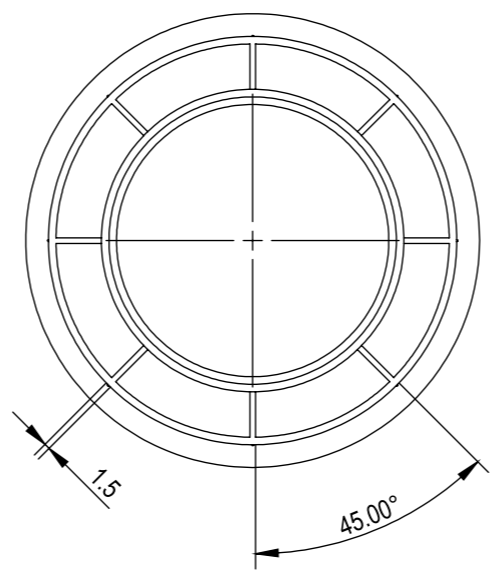
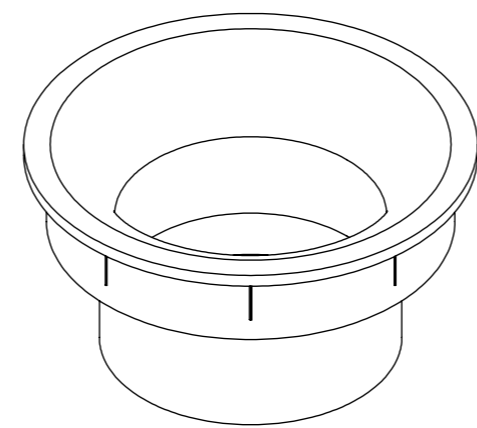
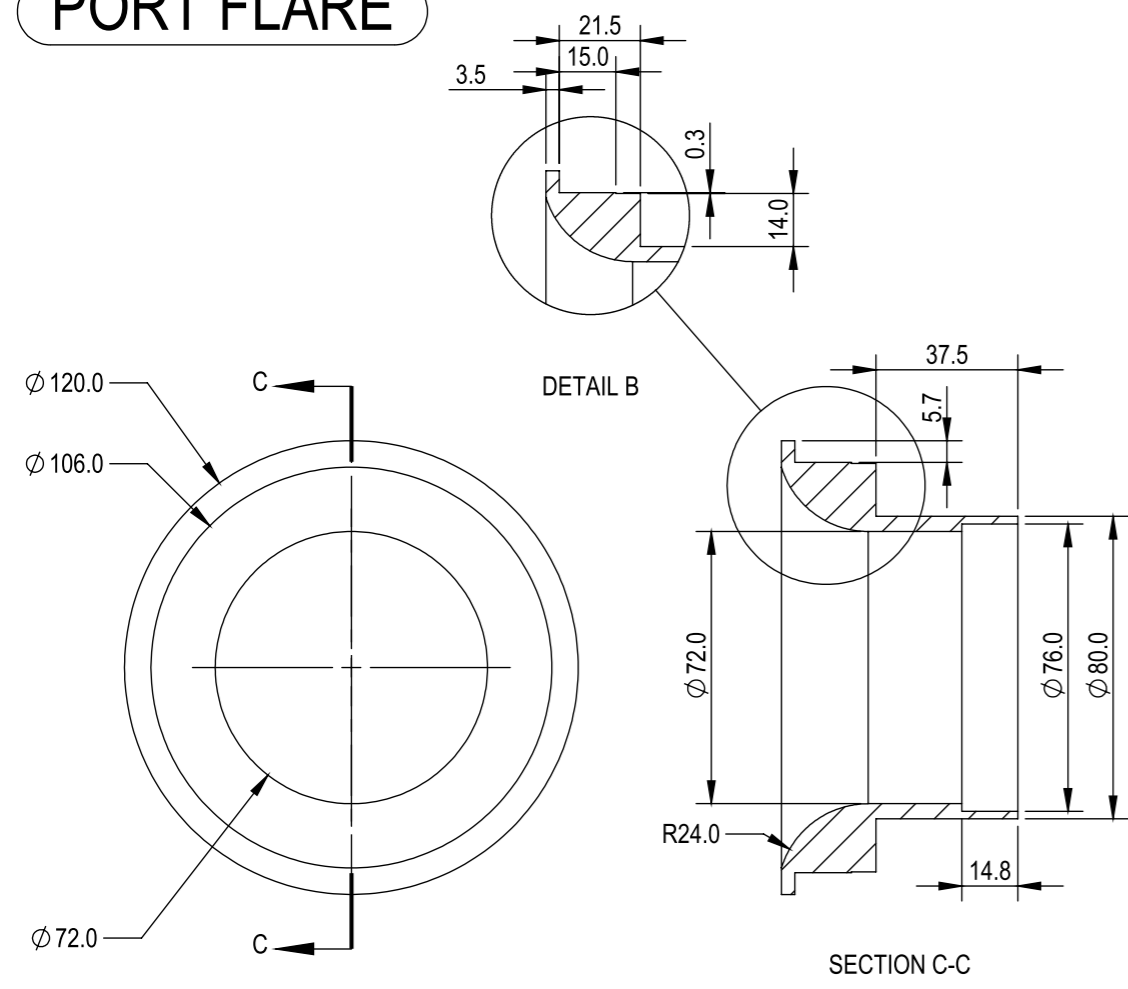
NO.	DESCRIPTION	QTY.
1	TWEETER GRILL	1
2	MIDRANGE GRILL	1
3	WOOFER GRILL	2
4	A. SASANDU CROSSOVER	1
	B. SASANDU TX CROSSOVER	
5	A. SATORI TW29BN-B-8	1
	B. SATORI TW29TXN-B-8	
6	A. 6.5IN SATORI MR16P-4	1
	B. 6.5IN SATORI MW16TX-4	
7	A. 7.5IN SATORI MW19P-8	2
	B. 7.5IN SATORI MW19TX-8	
8	SEAL GASKET (FOR PEDESTAL, INSTALLED ON CABINET)	2
9	NAME PLATE	1
10	INSERT NUT M4 (INSTALLED)	28
11	STAINLESS TERMINAL PLATE	1
12	WASHER PLATE (INSTALLED)	11
13	INSERT NUT M5 (INSTALLED)	11
14	SR-MSIH-5X30-BLK CR3+	11
15	WOOD SCREW 4 X 16 mm FOR CROSSOVER (FROM KIT CROSSOVER)	10
16	HEX SOCKET SCREW M4 X 20mm (FOR DRIVERS)	24
17	COUNTERSUNK SCREW M4 X 20mm (FOR TERMINAL PLATE)	4
18	PAPER TUBE D:75mm L:100mm (INSTALLED ON CABINET)	1
19	PORT FLARE D:75mm (INSTALLED ON CABINET)	1
20	SEAL GASKET (FOR TERMINAL PLATE)	1
21	BINDING POST	1



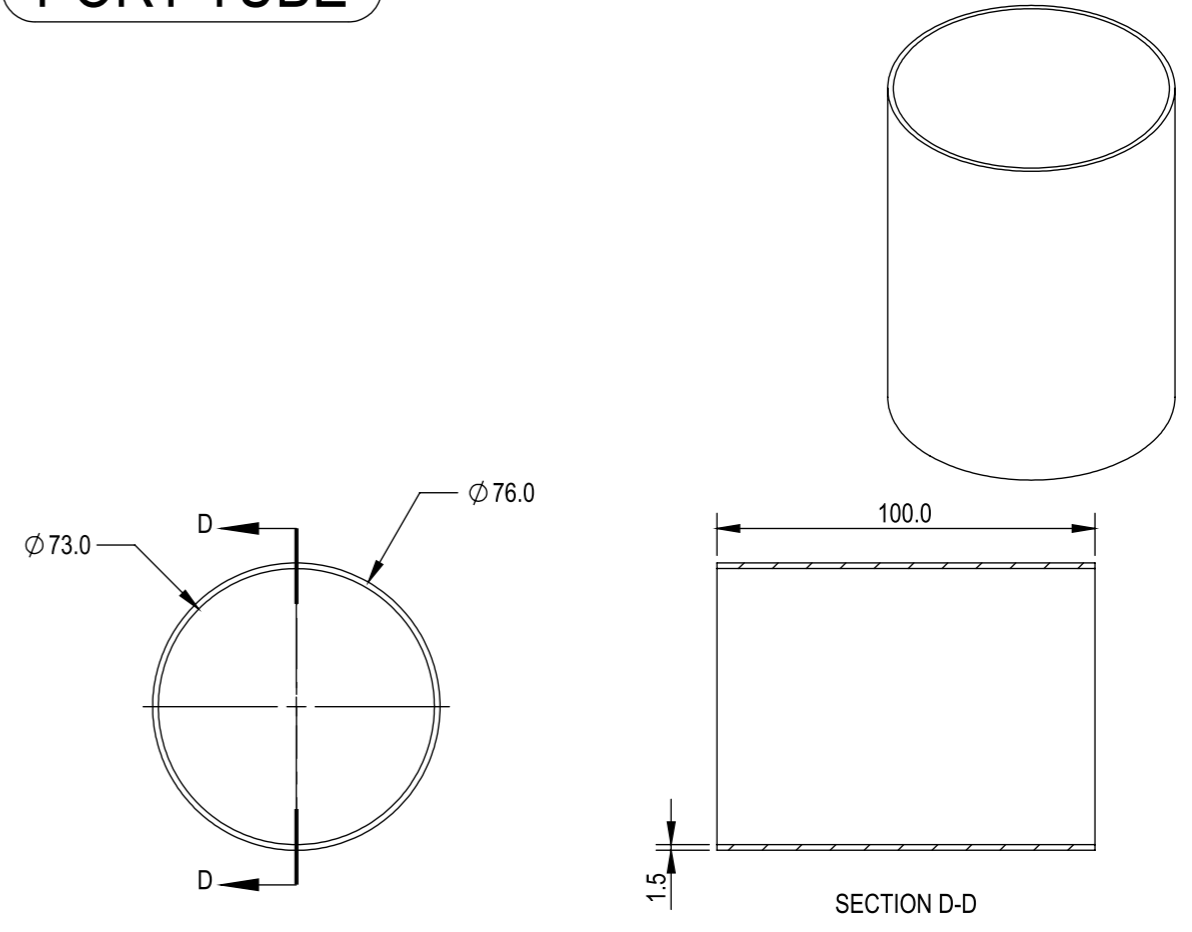
PORT - SBA - SASANDU



PORT FLARE



PORT TUBE



DAMPING MATERIAL A
 Dacron 9oz White Color T20mm
 Size: 430 x 125 x 430 x 185 mm
 (2 layers covering the top brace behind tweeter)

DAMPING MATERIAL B
 Dacron 9oz White Color T20mm
 Size : 485 x 125 x 485 x 190 mm
 (1 layer on the partition (bottom of midrange chamber))

DAMPING MATERIAL G
 Dacron 9oz White Color T20mm
 Size: 485 x 125 x 485 x 190 mm
 (2 layers in top of upper section woofer chamber (lower layer may rest on the brace between the side walls as shown))

DAMPING MATERIAL H
 Dacron 9oz White Color T20mm
 Size: 240 x 225 x 220 x 280 mm
 (1 layer on each side wall in front half of upper section in woofer chamber)

DAMPING MATERIAL J
 Dacron 9oz White Color T20mm
 Size: 445 x 210 x 445 x 210 mm
 (1 layer on each side in center section of woofer chamber)

DAMPING MATERIAL I
 Dacron 9oz White Color T20mm
 Size: 445 x 125 x 445 x 210 mm
 (2 layers on entire lower brace in woofer chamber (must stay in place))

DAMPING MATERIAL D
 Dacron 9oz White Color T20mm
 Size: 65 x 125 mm
 (2 layers on black wall of midrange chamber (below the brace only))

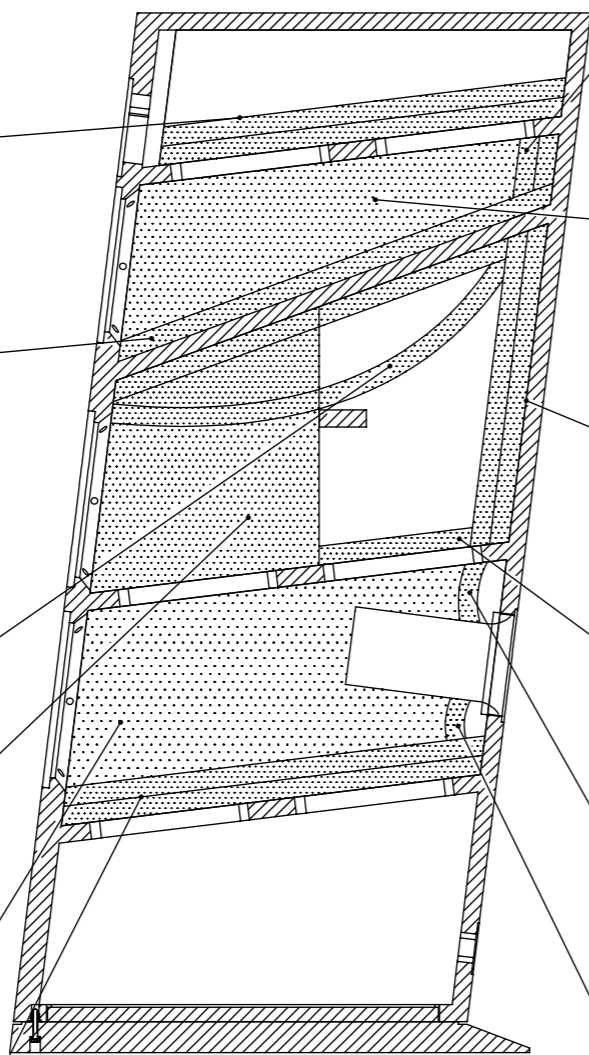
DAMPING MATERIAL C
 Dacron 9oz White Color T20mm
 Size: 445 x 185 x 485 x 75 mm
 (1 layer on each side in the midrange chamber (below the brace only))

DAMPING MATERIAL E
 Dacron 9oz White Color T20mm
 Size: 330 x 125 mm
 (2 layers on back wall in upper section of woofer chamber)

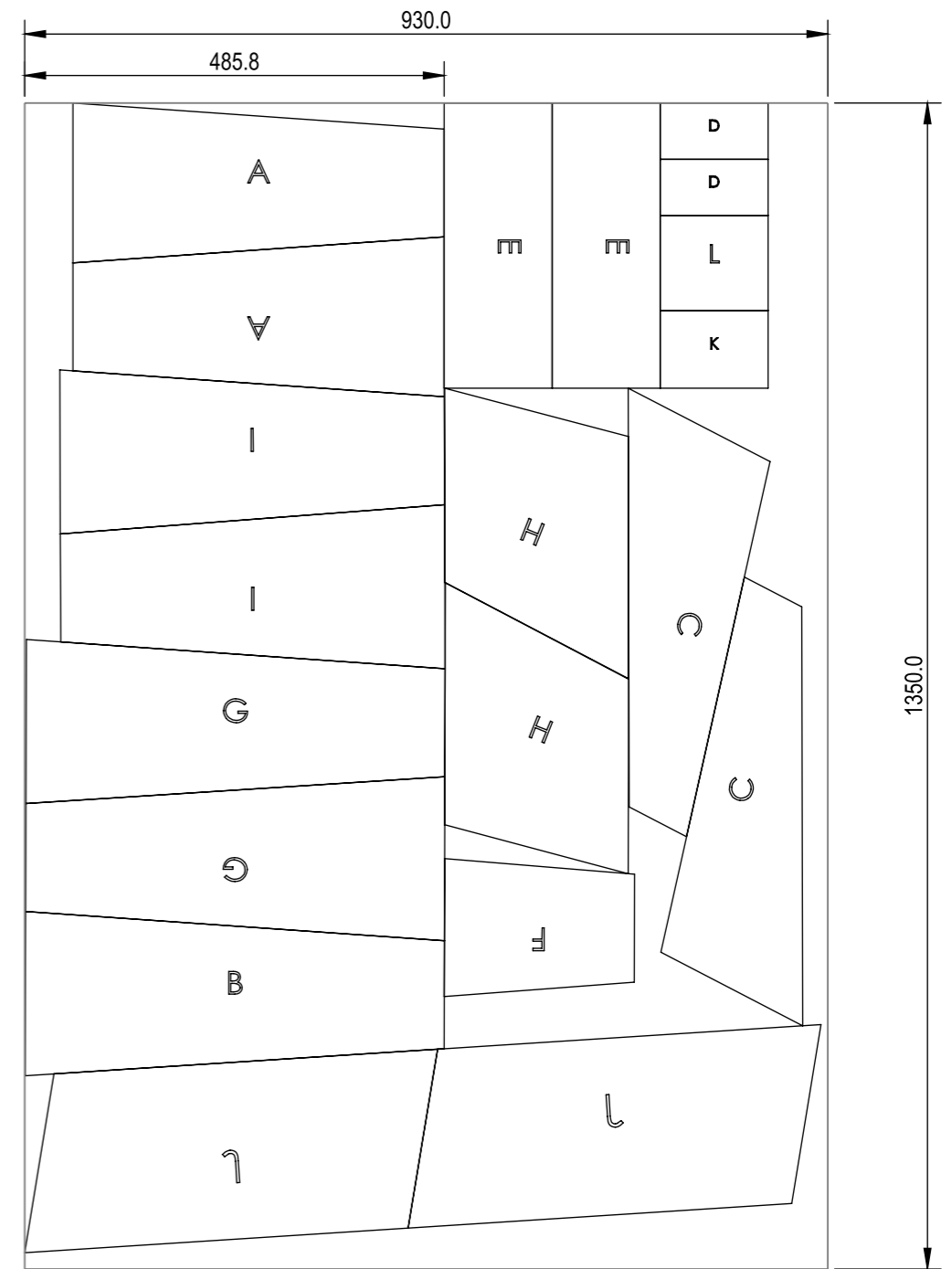
DAMPING MATERIAL F
 Dacron 9oz White Color T20mm
 Size: 220 x 125 x 220 x 160 mm
 (1 layer on back half of upper brace in upper section of woofer chamber)

DAMPING MATERIAL L
 Dacron 9oz White Color T20mm
 Size: 110 x 125 mm
 (1 folded piece above port in the back)

DAMPING MATERIAL K
 Dacron 9oz White Color T20mm
 Size: 90 x 125 mm
 (1 folded piece below port in the back)

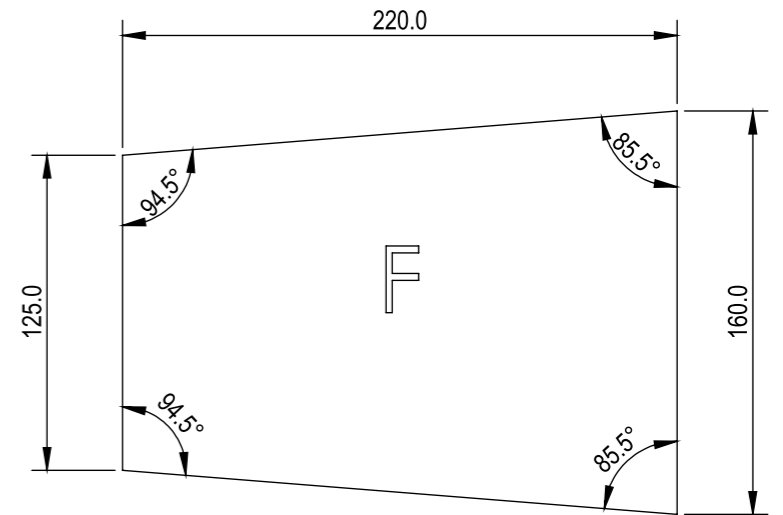
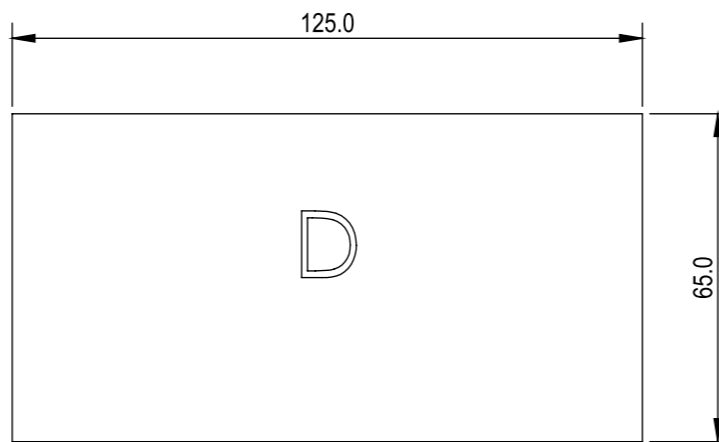
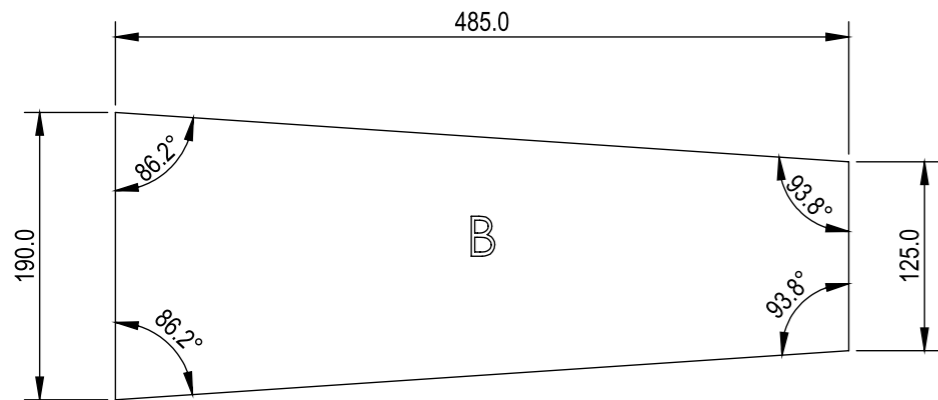
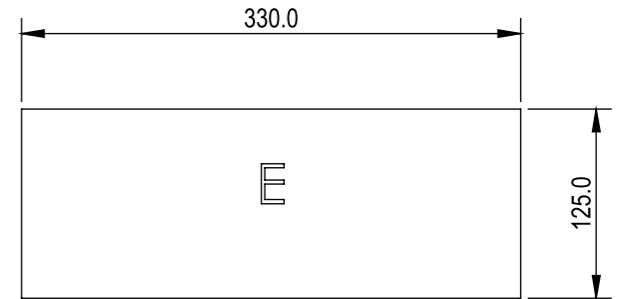
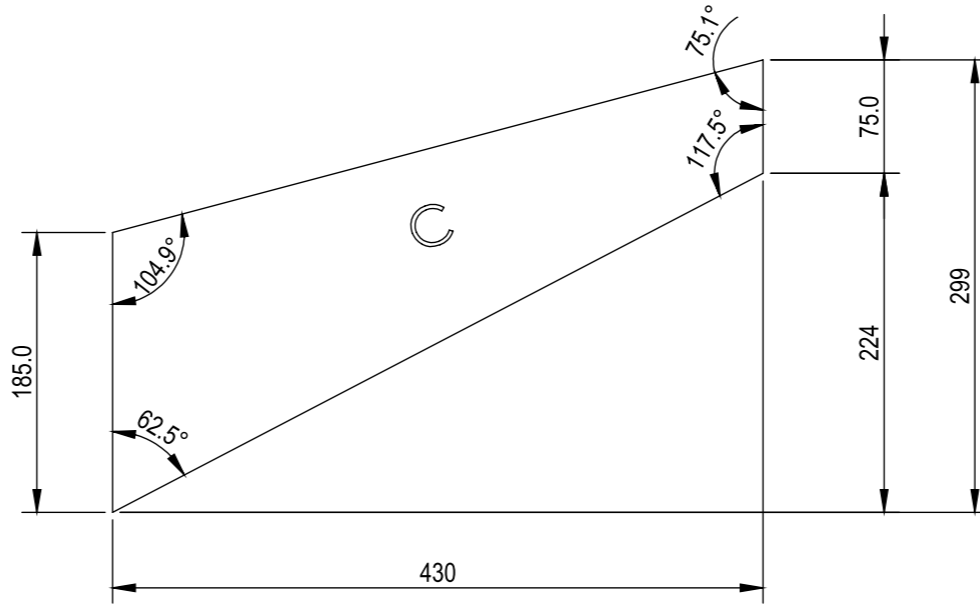
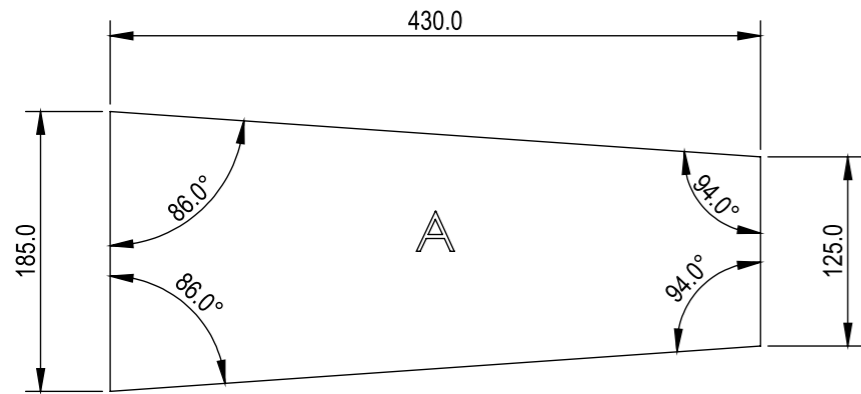


SECTION A-A
 SCALE 1 : 8

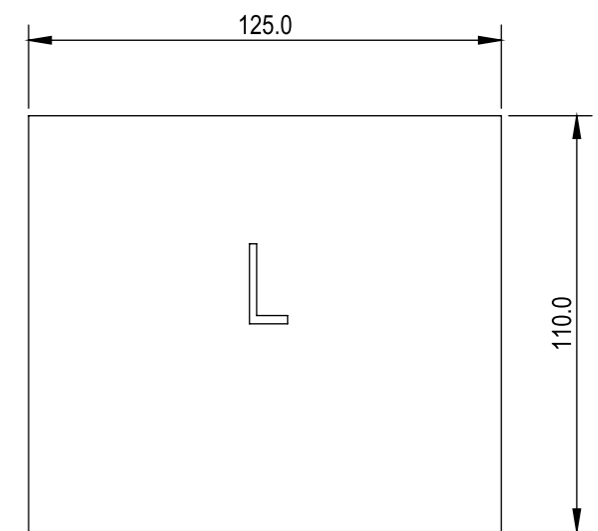
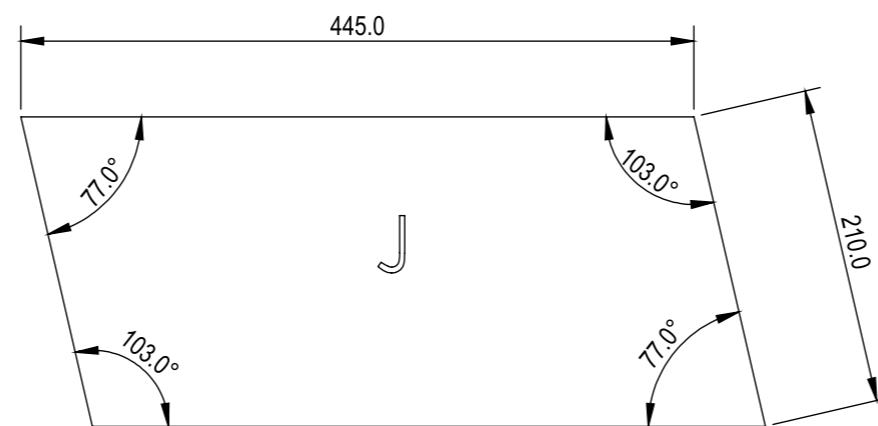
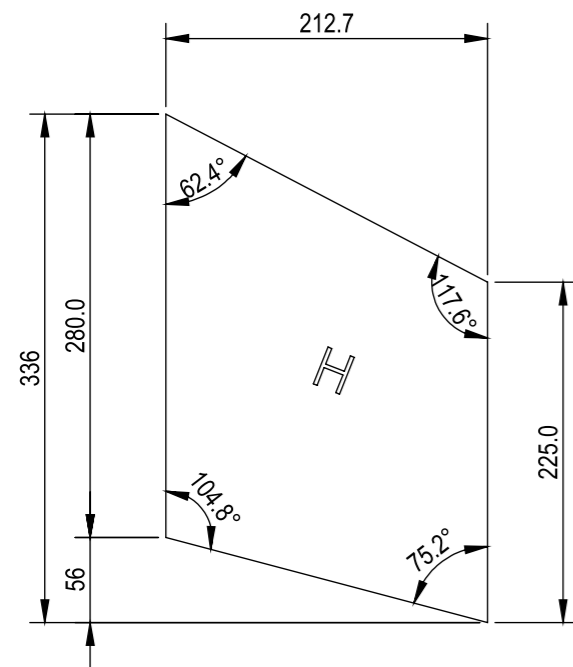
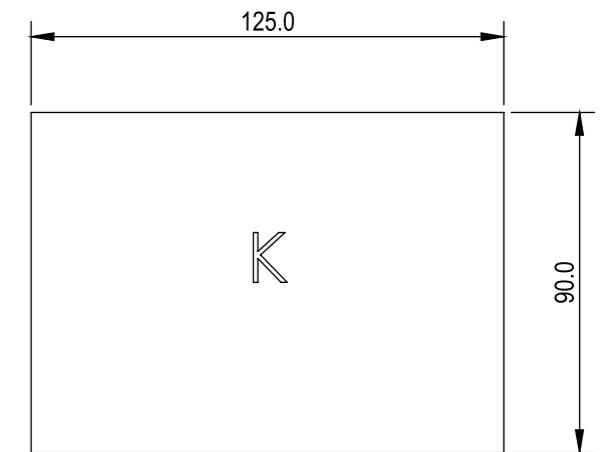
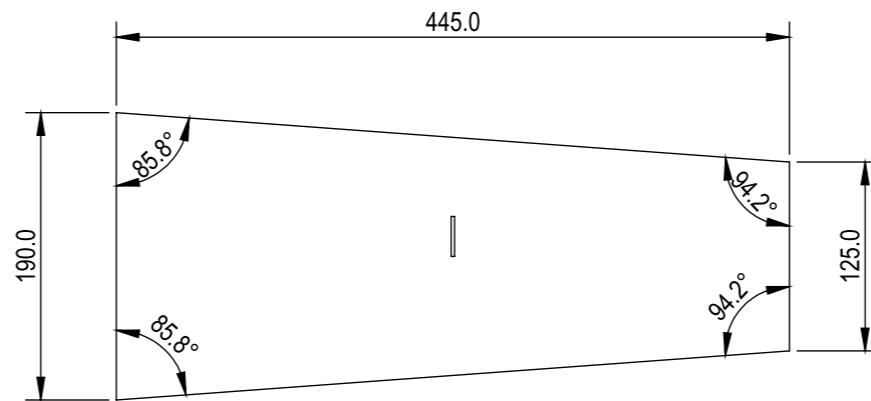
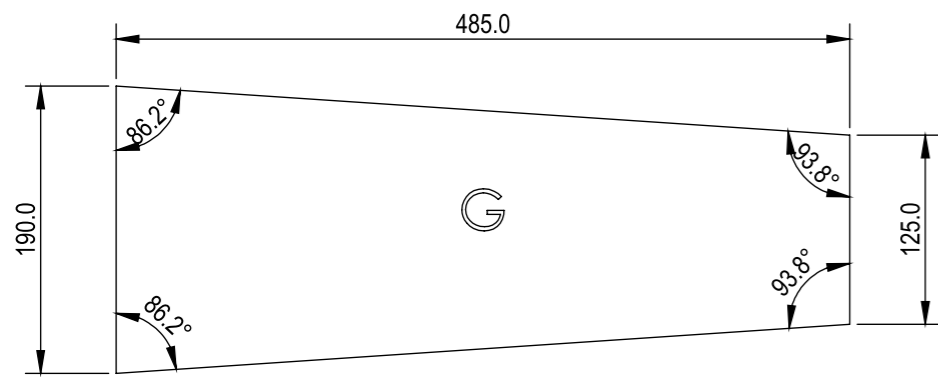


"DAMPING MATERIAL CUT PATTERN"

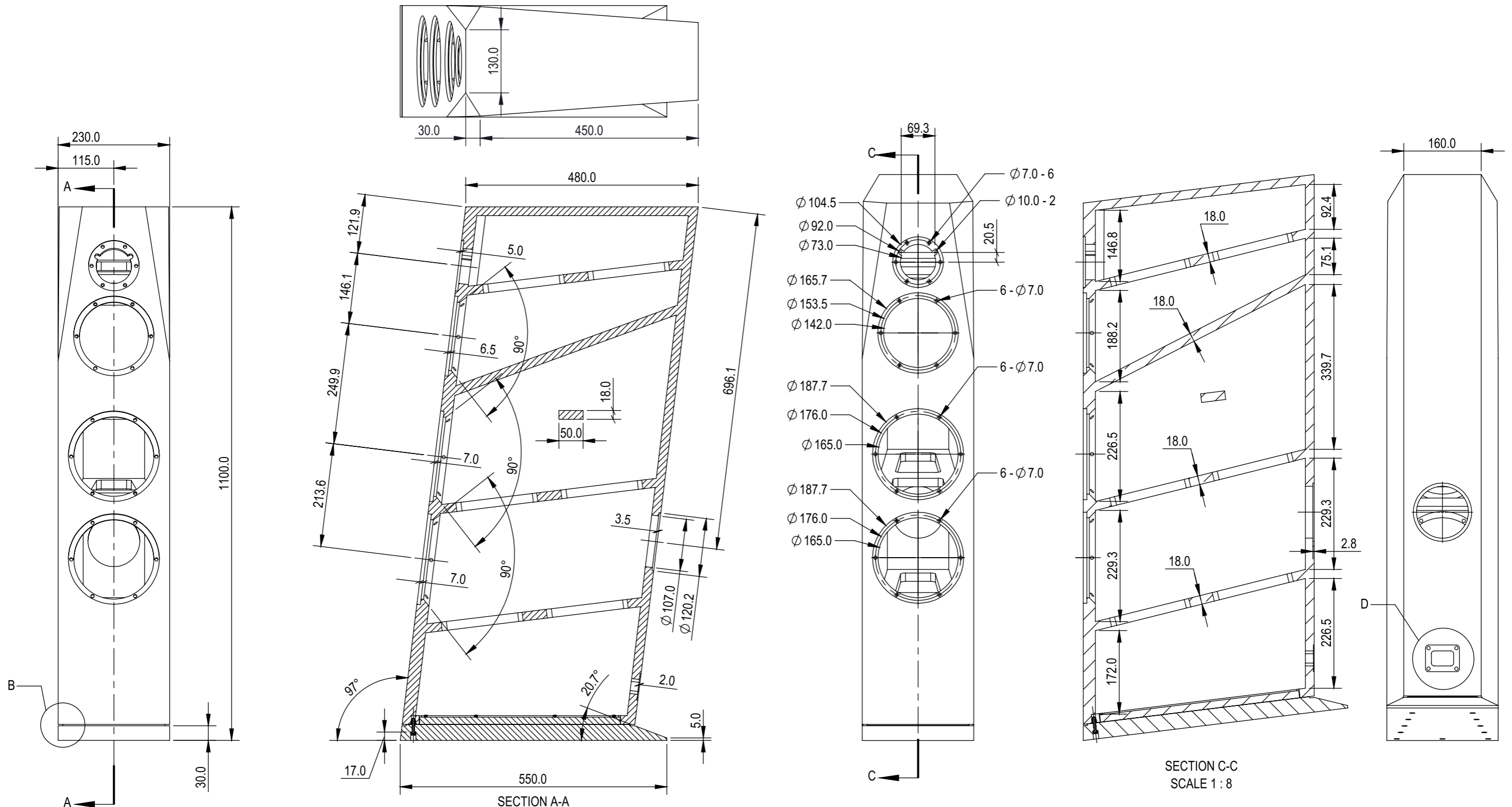
NO.	PART NUMBER	DESCRIPTION	QTY.
1	A	DA-DACRON-(430x125x430x185)mm	2
2	B	DA-DACRON-(485x125x485x190)mm	1
3	C	DA-DACRON-(445x185x485x75)mm	2
4	D	DA-DACRON-(65x125)mm	2
5	E	DA-DACRON-(330x125)mm	2
6	F	DA-DACRON-(220x125x220x160)mm	1
7	G	DA-DACRON-(485x125x485x190)mm	2
8	H	DA-DACRON-(240x225x220x280)mm	2
9	I	DA-DACRON-(445x125x445x190)mm	2
10	J	DA-DACRON-(445x210x445x210)mm	2
11	K	DA-DACRON-(90x125)mm	1
12	L	DA-DACRON-(110x125)mm	1



NO.	DESCRIPTION	QTY.
1	DA-DACRON-(430x125x430x185)mm (SASANDU A)	2
2	DA-DACRON-(485x125x485x190)mm (SASANDU B)	1
3	DA-DACRON-(445x185x485x75)mm (SASANDU C)	2
4	DA-DACRON-(65x125)mm (SASANDU D)	2
5	DA-DACRON-(330x125)mm (SASANDU E)	2
6	DA-DACRON-(220x125x220x160)mm (SASANDU F)	1
7	DA-DACRON-(485x125x485x190)mm (SASANDU G)	2
8	DA-DACRON-(240x225x220x280)mm (SASANDU H)	2
9	DA-DACRON-(445x125x445x190)mm (SASANDU I)	2
10	DA-DACRON-(445x210x445x210)mm (SASANDU J)	2
11	DA-DACRON-(90x125)mm (SASANDU K)	1
12	DA-DACRON-(110x125)mm (SASANDU L)	1

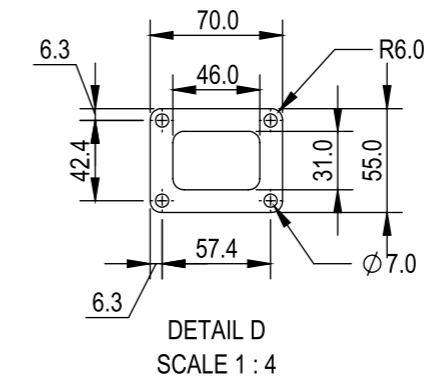
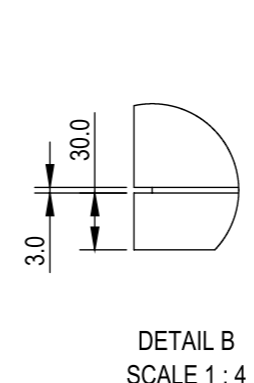
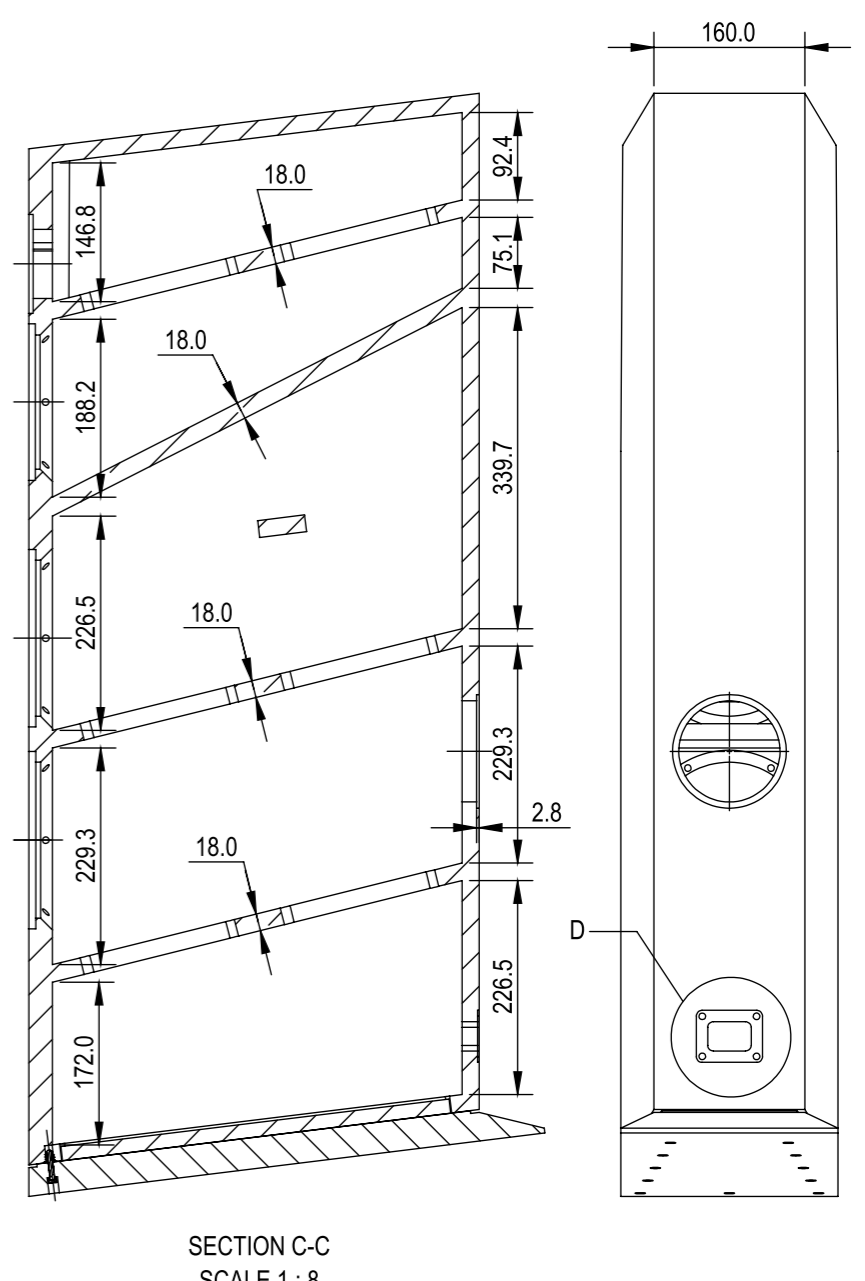
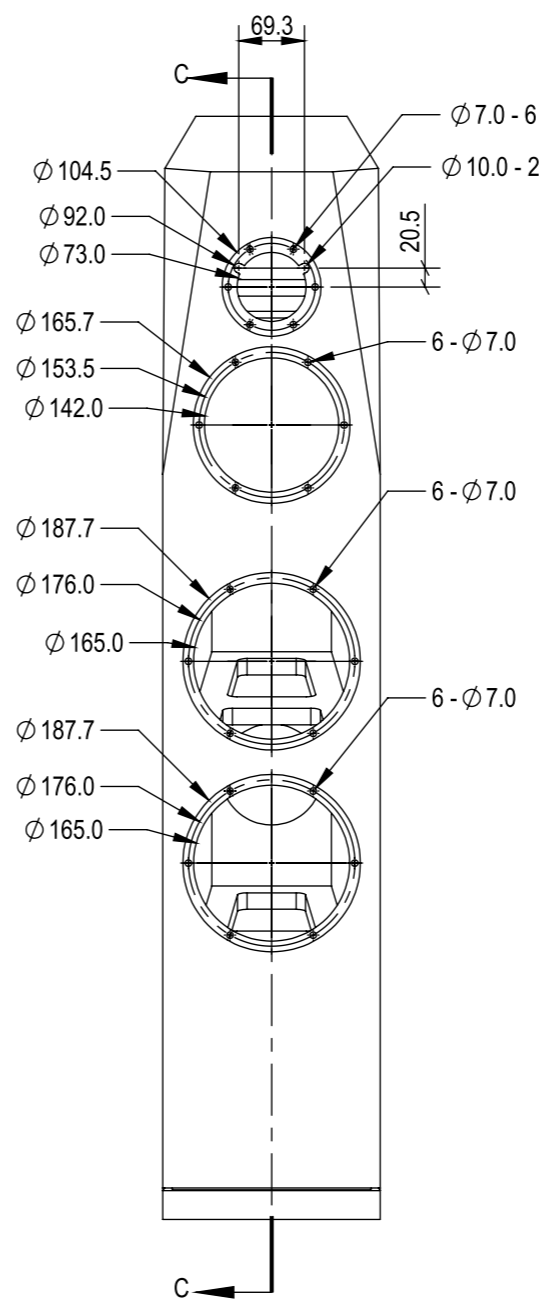
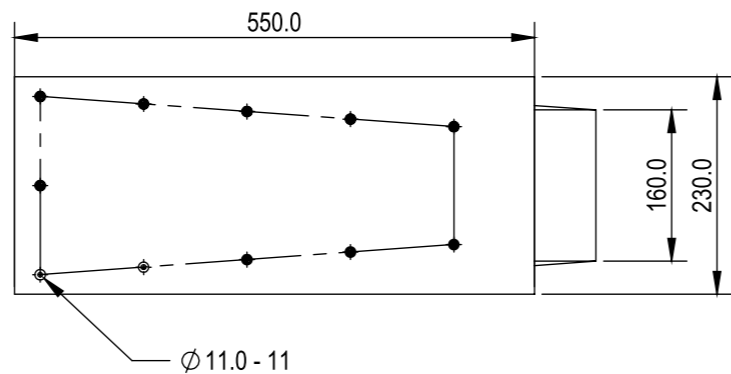


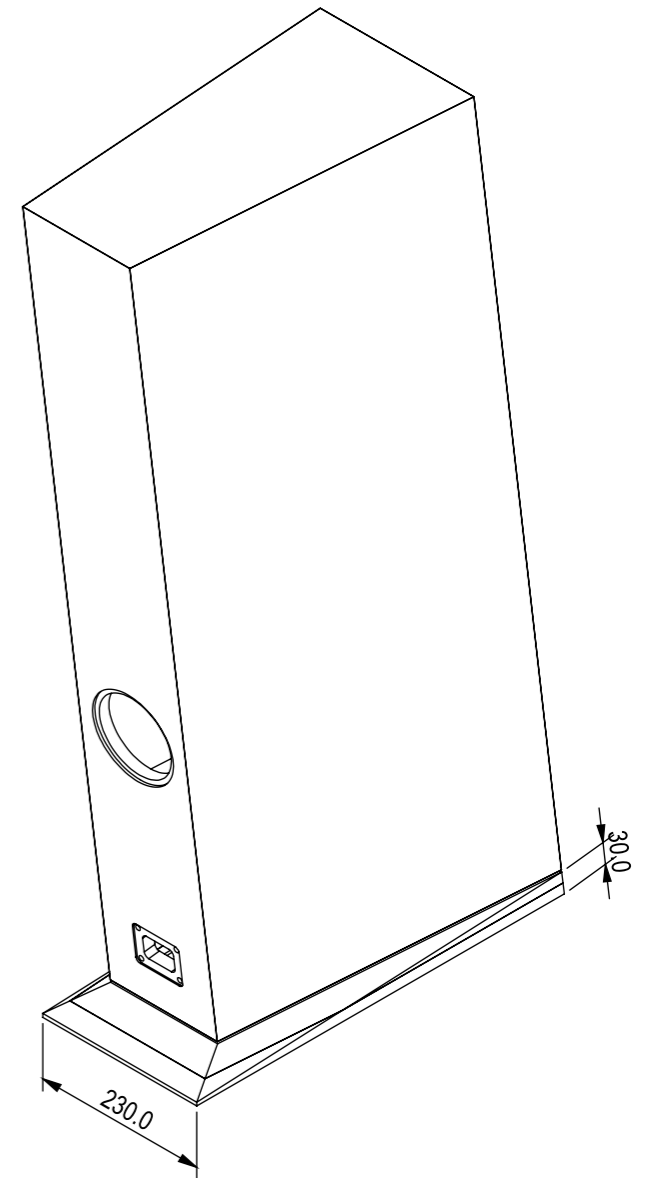
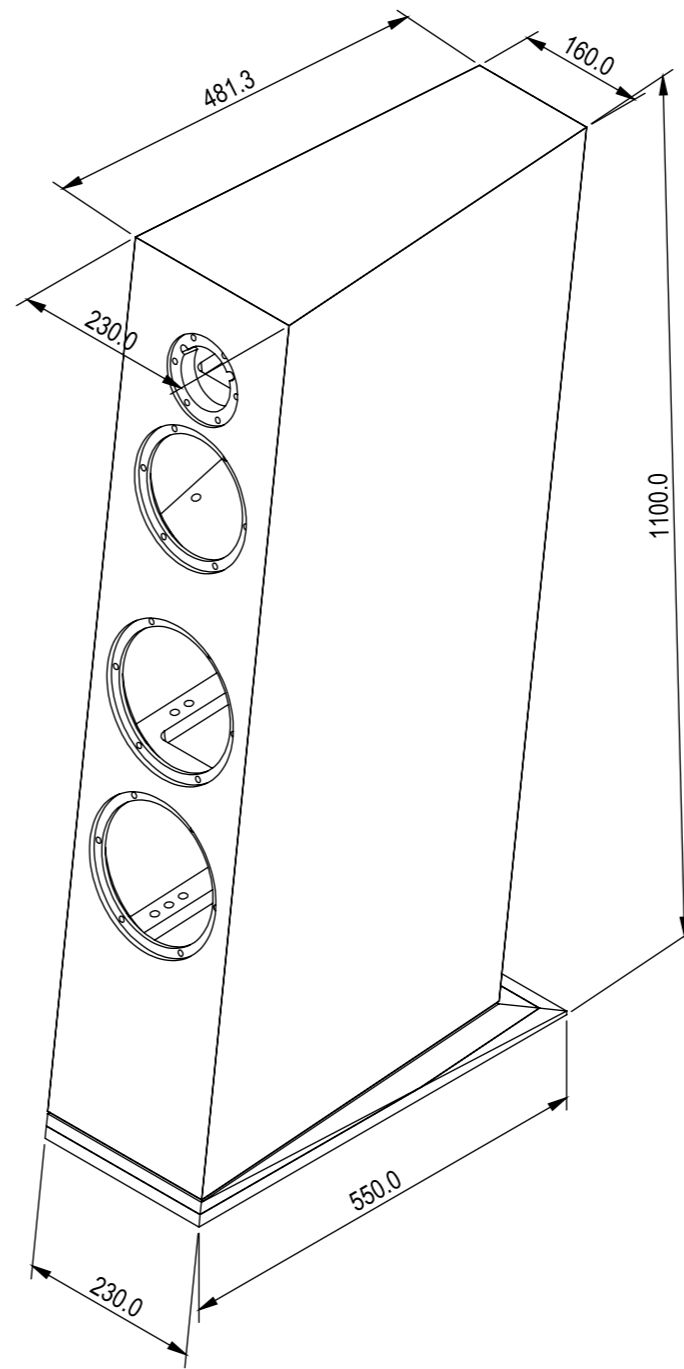
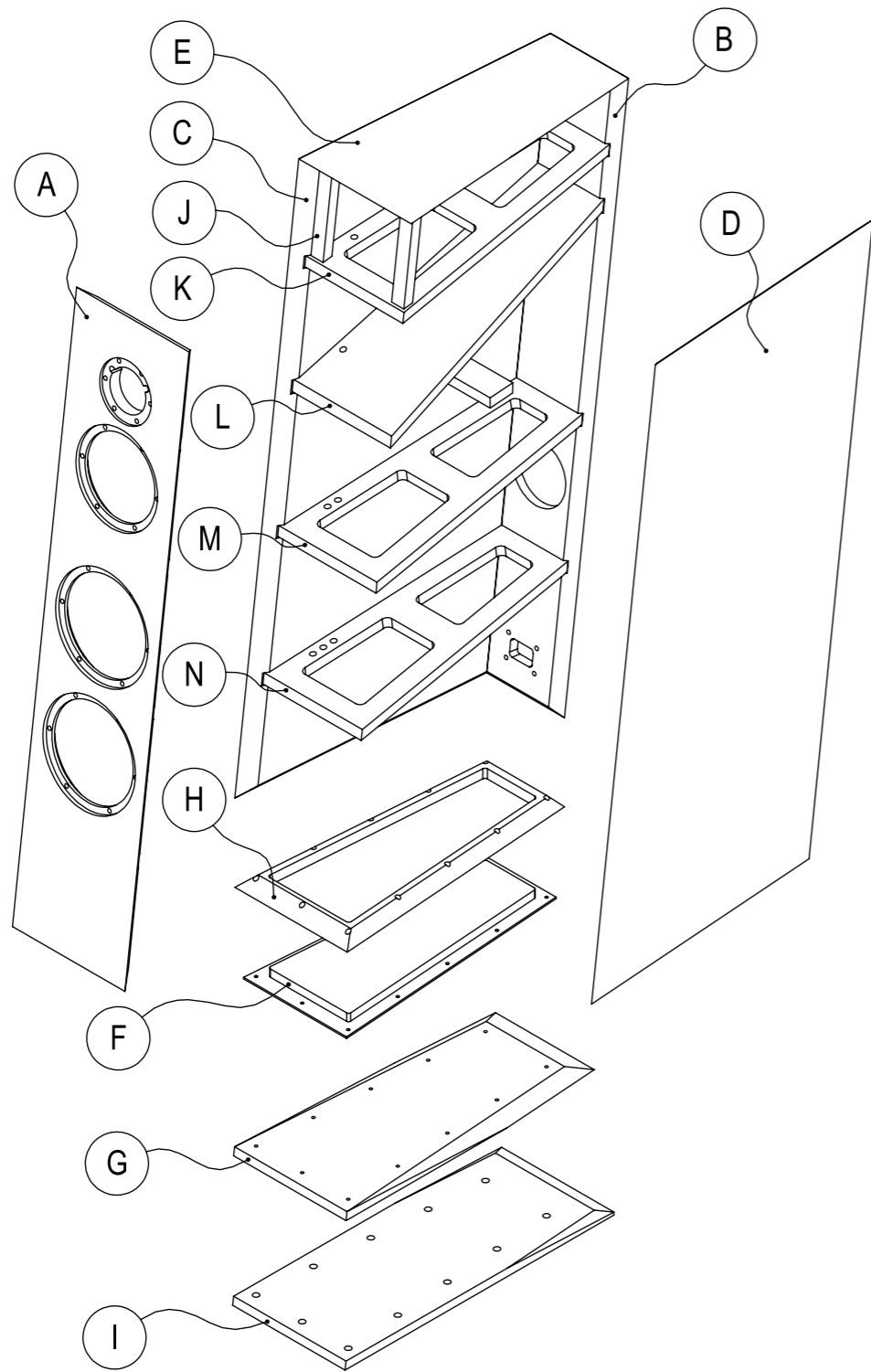
NO.	DESCRIPTION	QTY.
1	DA-DACRON-(430x125x430x185)mm (SASANDU A)	2
2	DA-DACRON-(485x125x485x190)mm (SASANDU B)	1
3	DA-DACRON-(445x185x485x75)mm (SASANDU C)	2
4	DA-DACRON-(65x125)mm (SASANDU D)	2
5	DA-DACRON-(330x125)mm (SASANDU E)	2
6	DA-DACRON-(220x125x220x160)mm (SASANDU F)	1
7	DA-DACRON-(485x125x485x190)mm (SASANDU G)	2
8	DA-DACRON-(240x225x220x280)mm (SASANDU H)	2
9	DA-DACRON-(445x125x445x190)mm (SASANDU I)	2
10	DA-DACRON-(445x210x445x210)mm (SASANDU J)	2
11	DA-DACRON-(90x125)mm (SASANDU K)	1
12	DA-DACRON-(110x125)mm (SASANDU L)	1



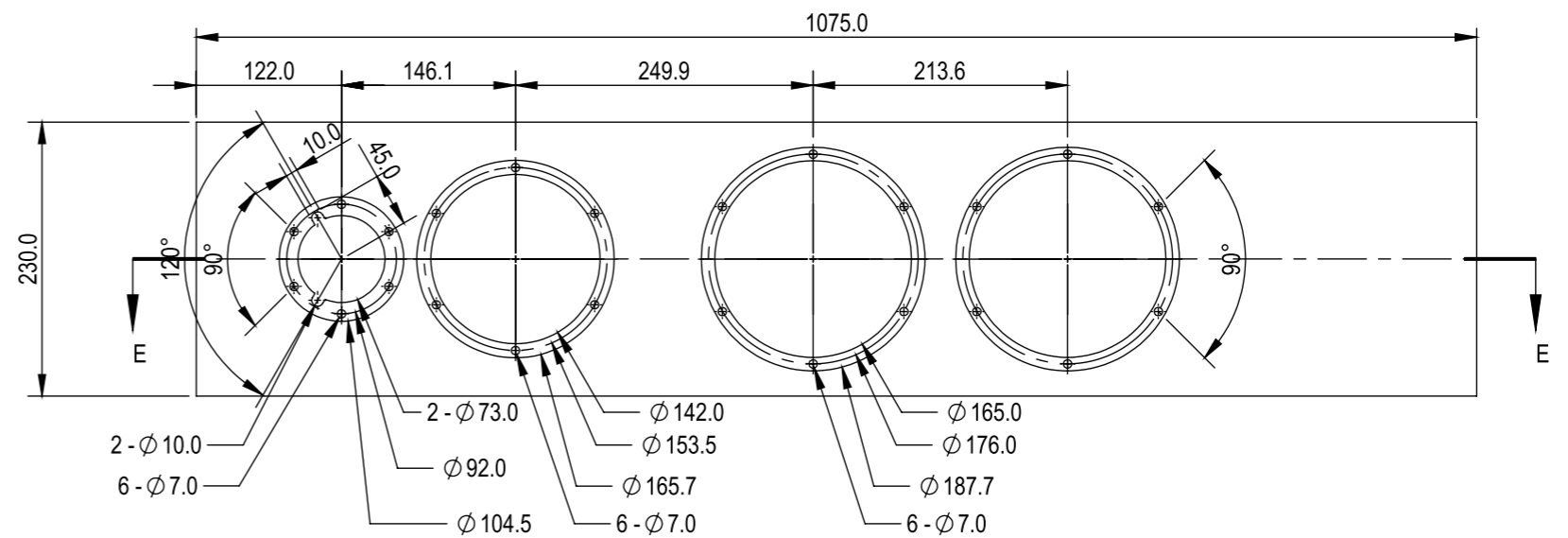
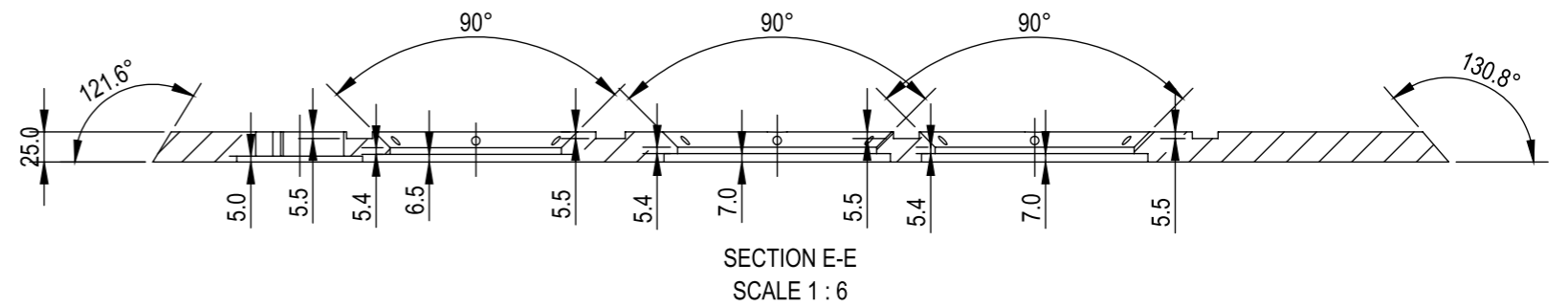
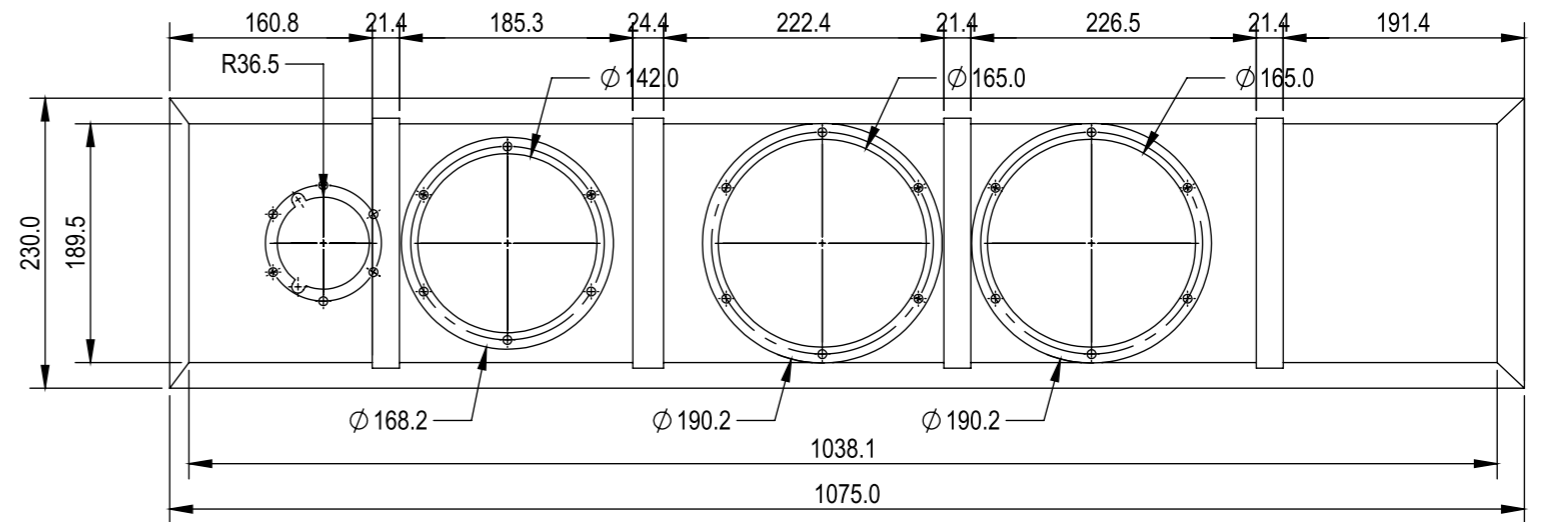
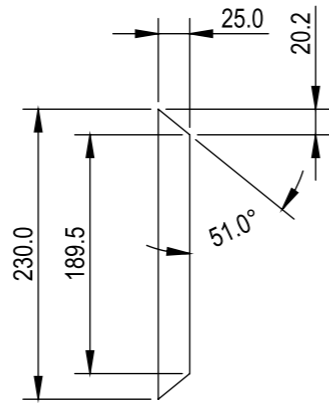
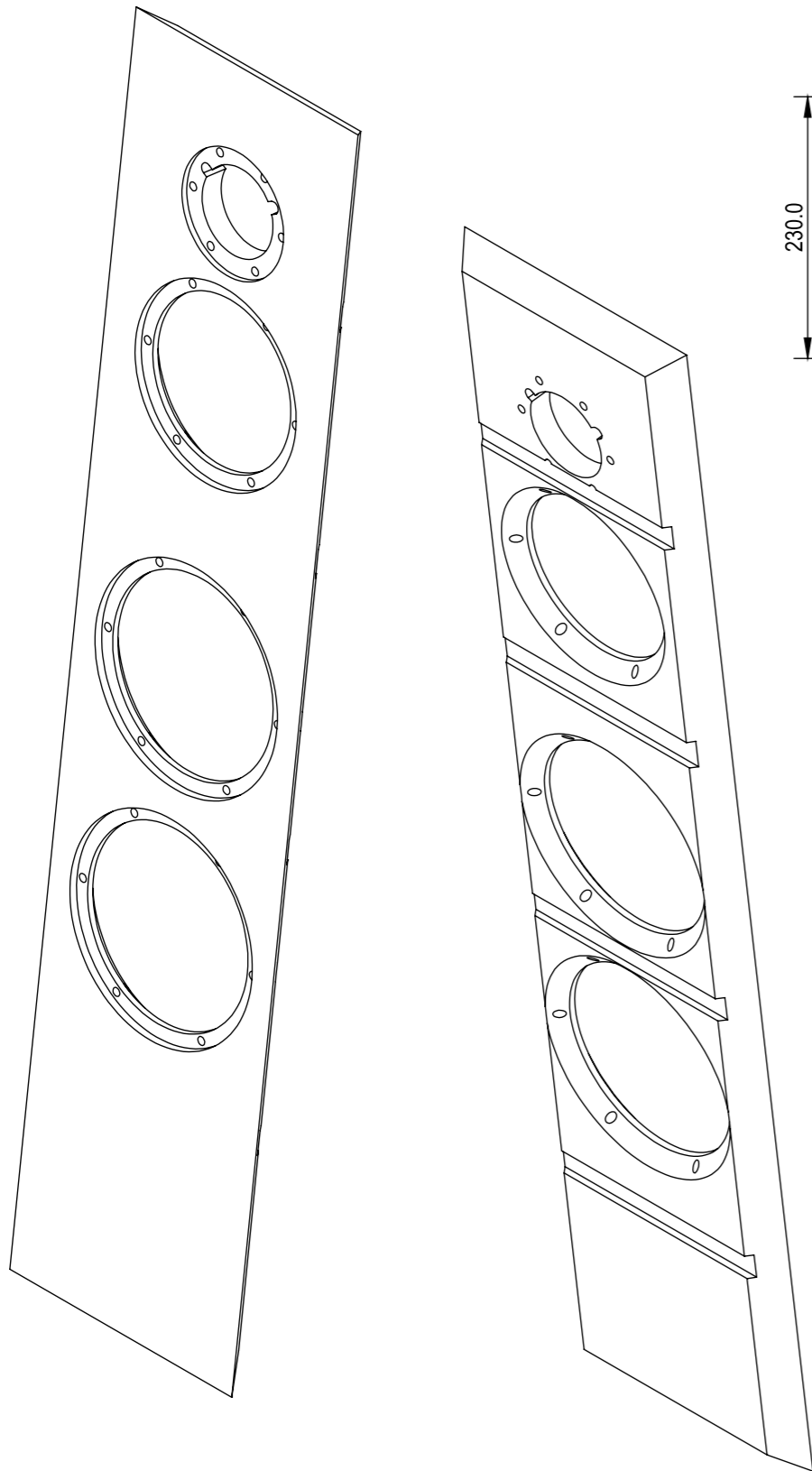
NOTE:

- All dimensions are before painting except depth
- Depth dimensions after painting could be same with drawing
- There is no defect on painting
- Paint thickness assumed 0.5 mm





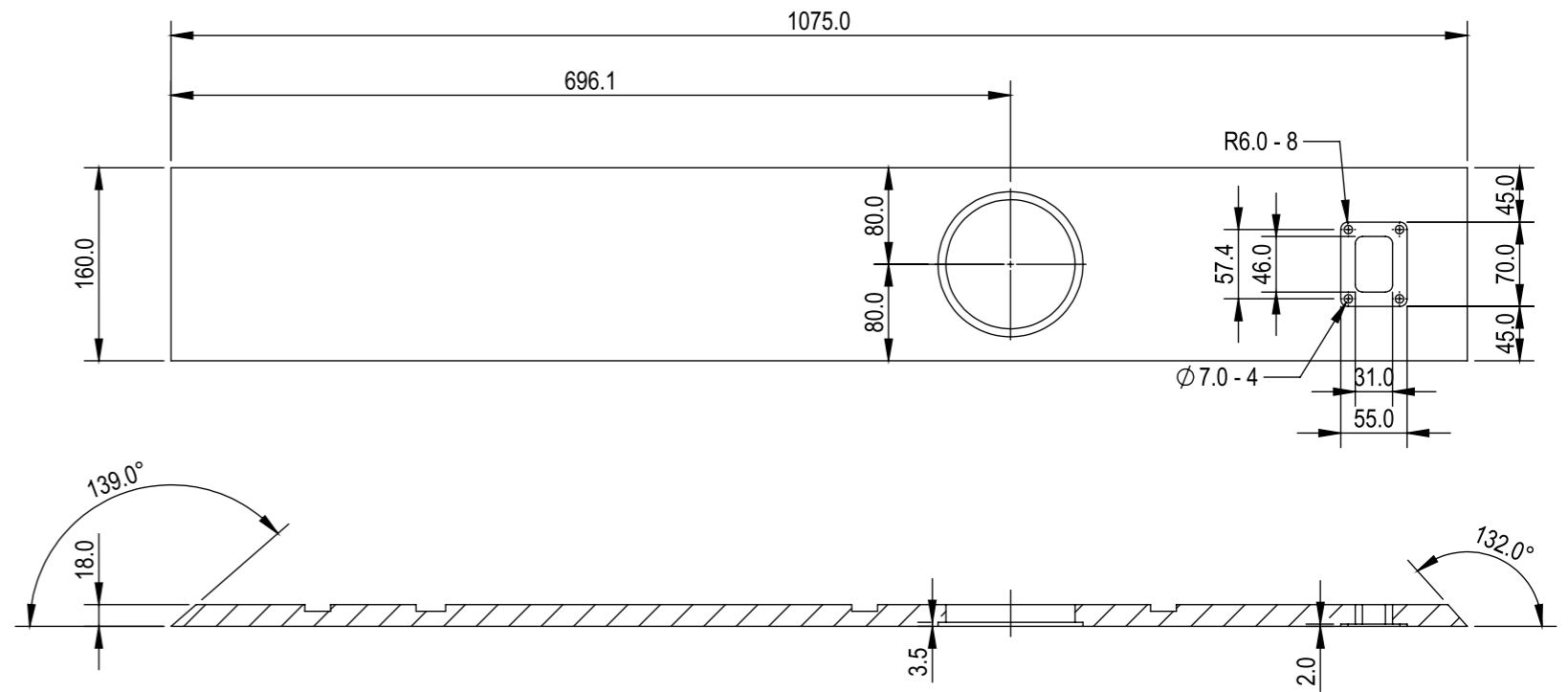
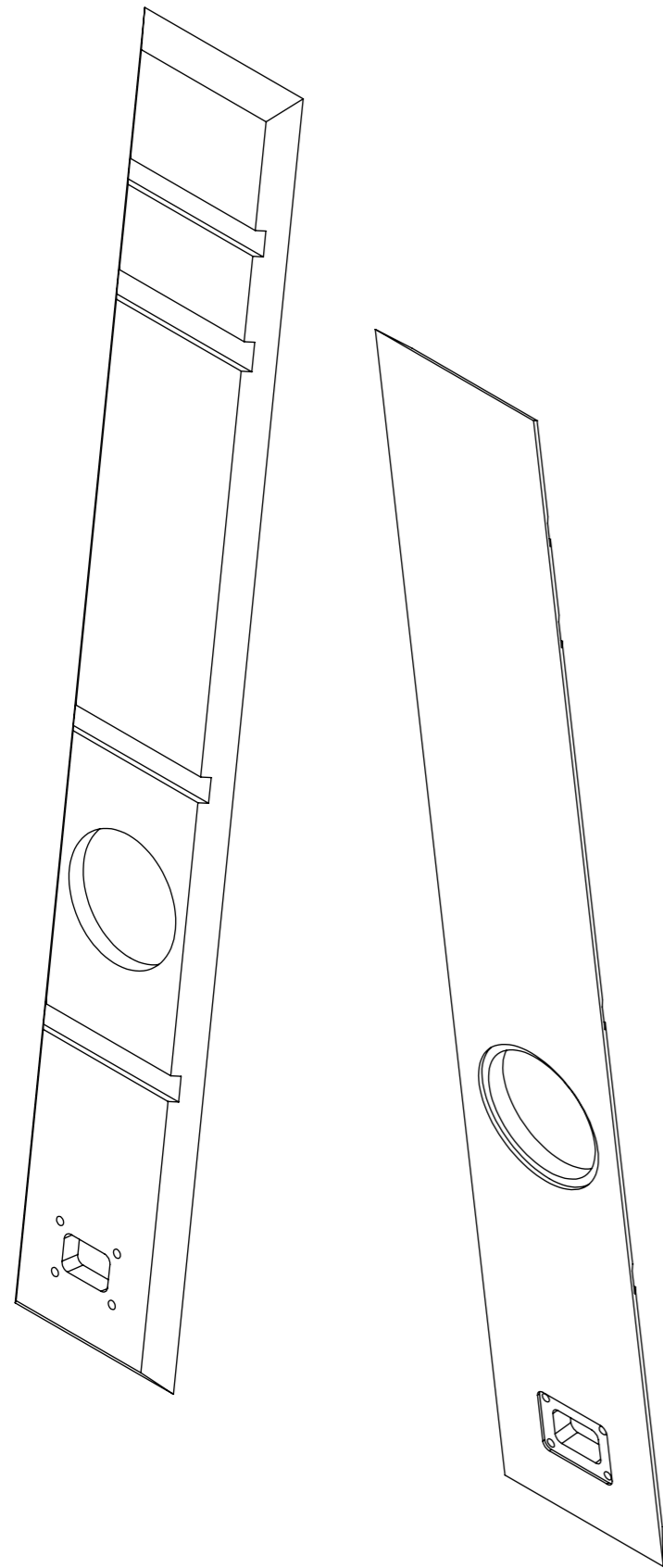
BOARD (A)



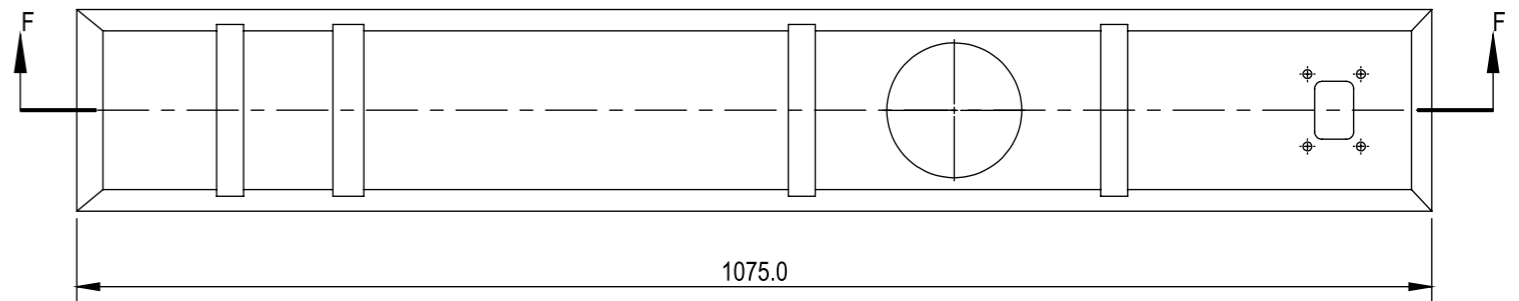
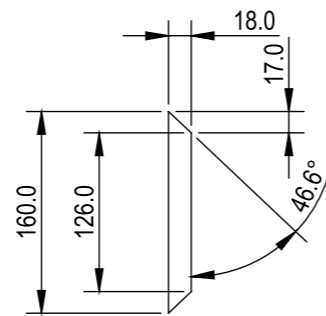
NOTE:

- All dimensions are before painting except depth
- Depth dimensions after painting could be same with drawing
- There is no defect on painting
- Paint thickness assumed 0.5 mm

BOARD (B)

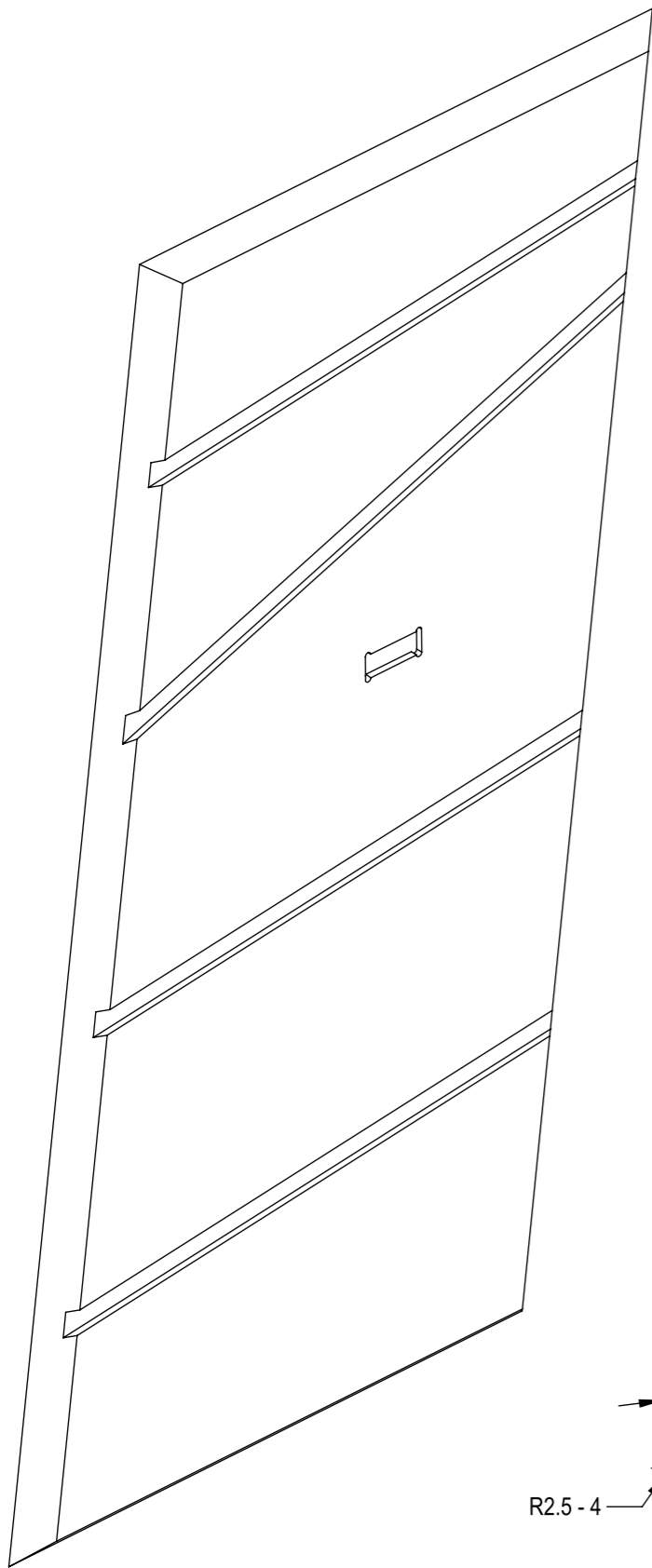


SECTION F-F
SCALE 1 : 6

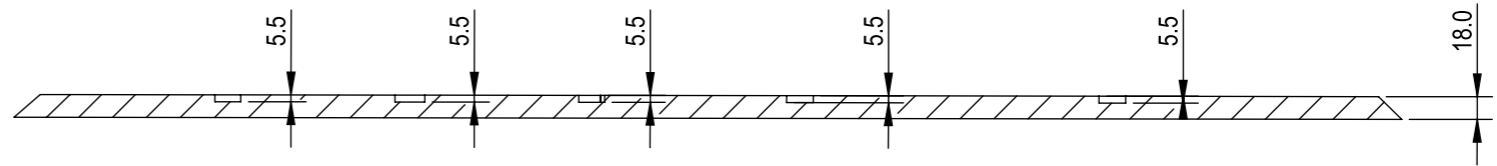


- NOTE:
- All dimensions are before painting except depth
 - Depth dimensions after painting could be same with drawing
 - There is no defect on painting
 - Paint thickness assumed 0.5 mm

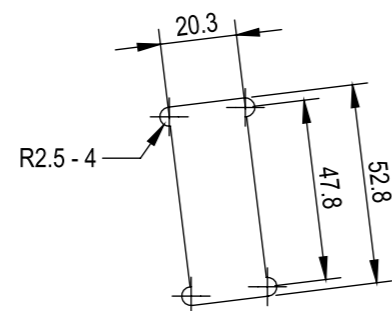
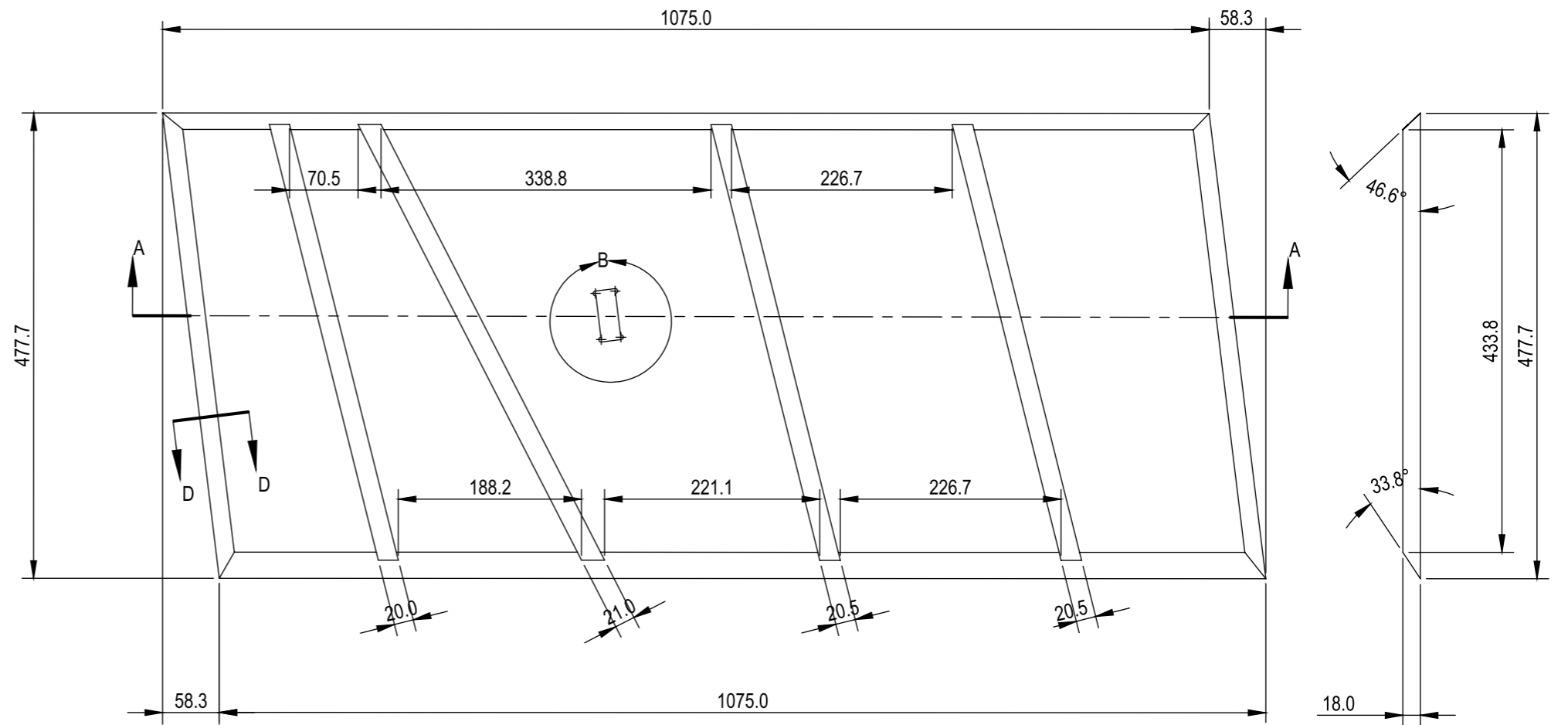
BOARD (C) & (D)



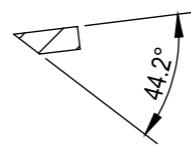
LEFT BOARD SHOWN
RIGHT BOARD IS MIRRORED LEFT BOARD



SECTION A-A
SCALE 1 : 6

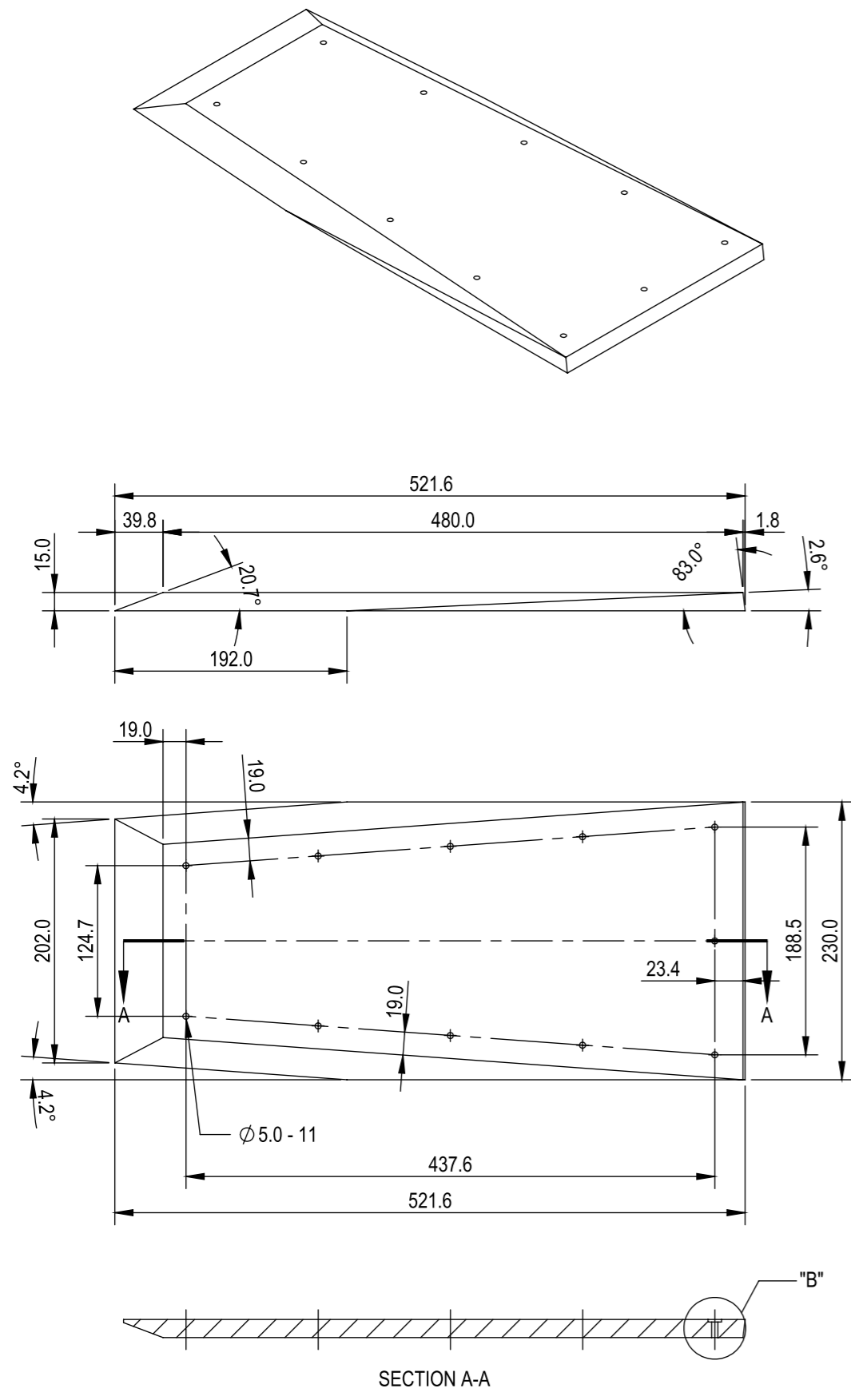


DETAIL B
SCALE 1 : 2

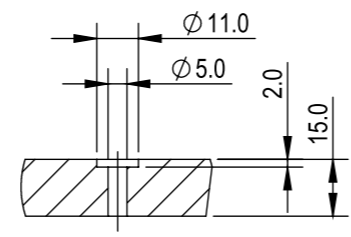


SECTION D-D
SCALE 1 : 6

BOARD (G)

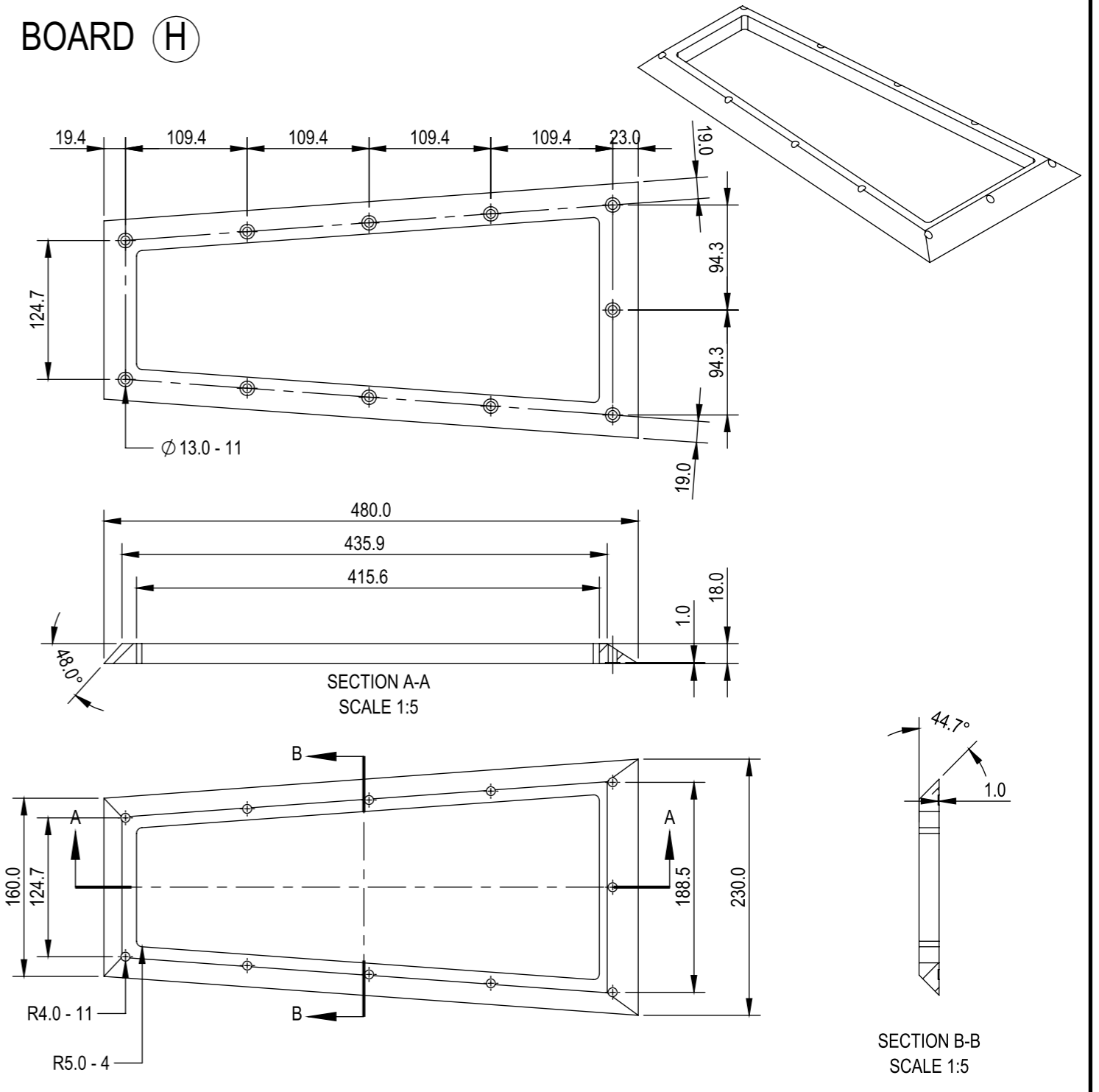


SECTION A-A



DETAIL "B"
SCALE 1:2

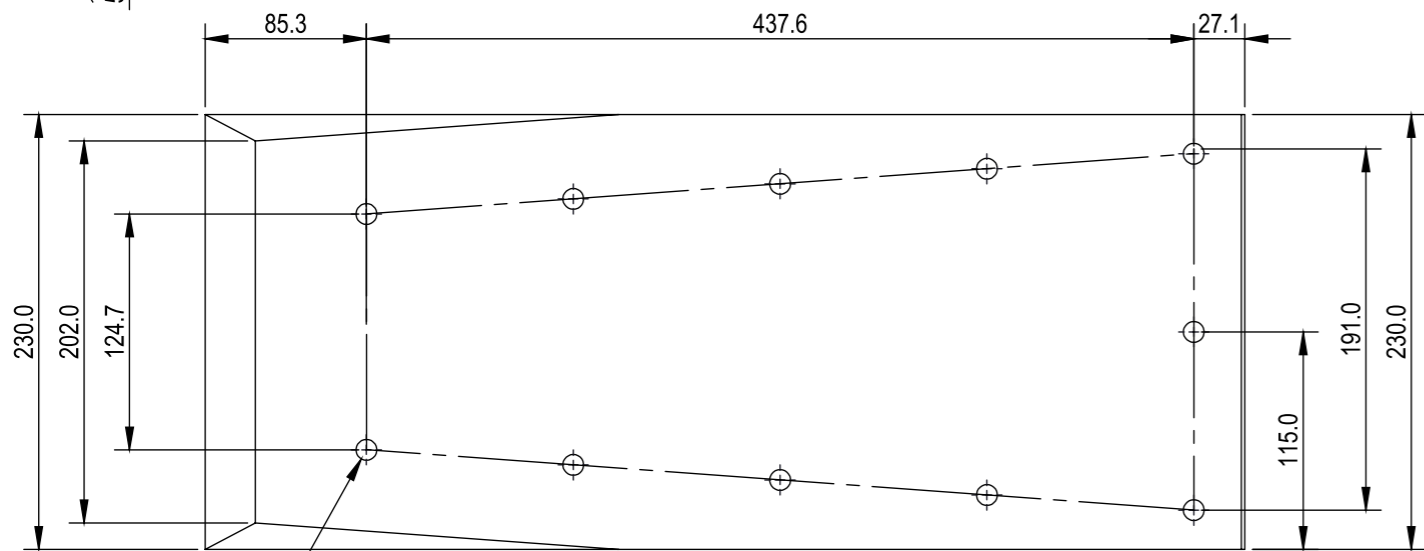
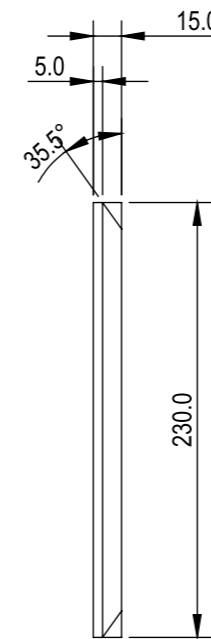
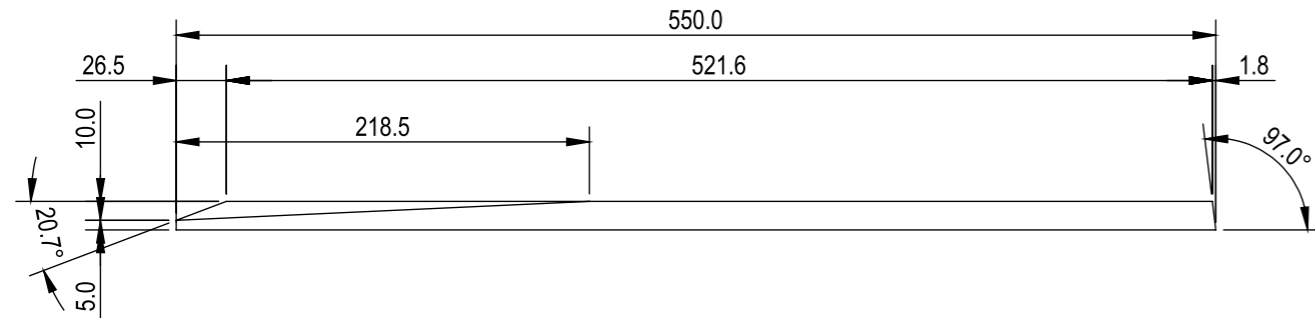
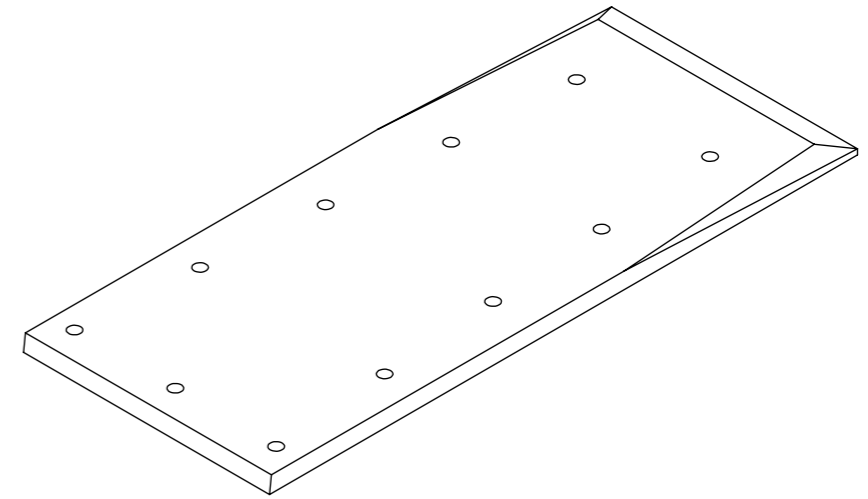
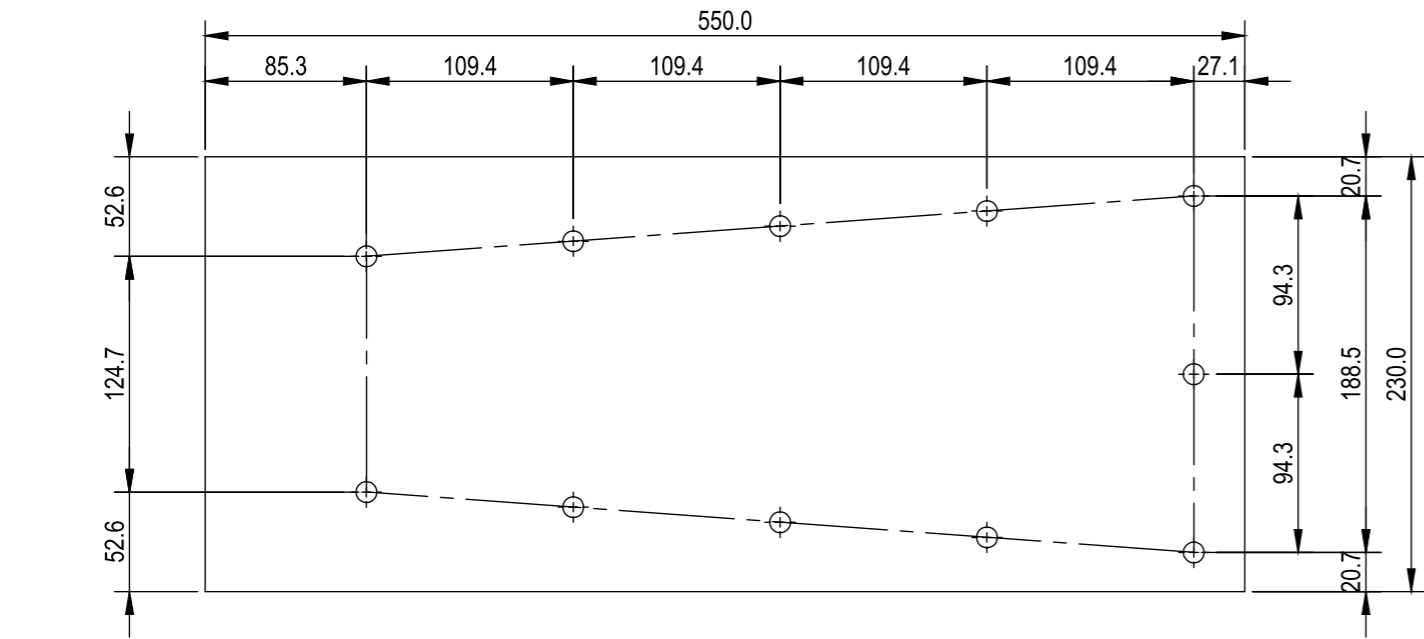
BOARD (H)



SECTION A-A
SCALE 1:5

SECTION B-B
SCALE 1:5

BOARD ①

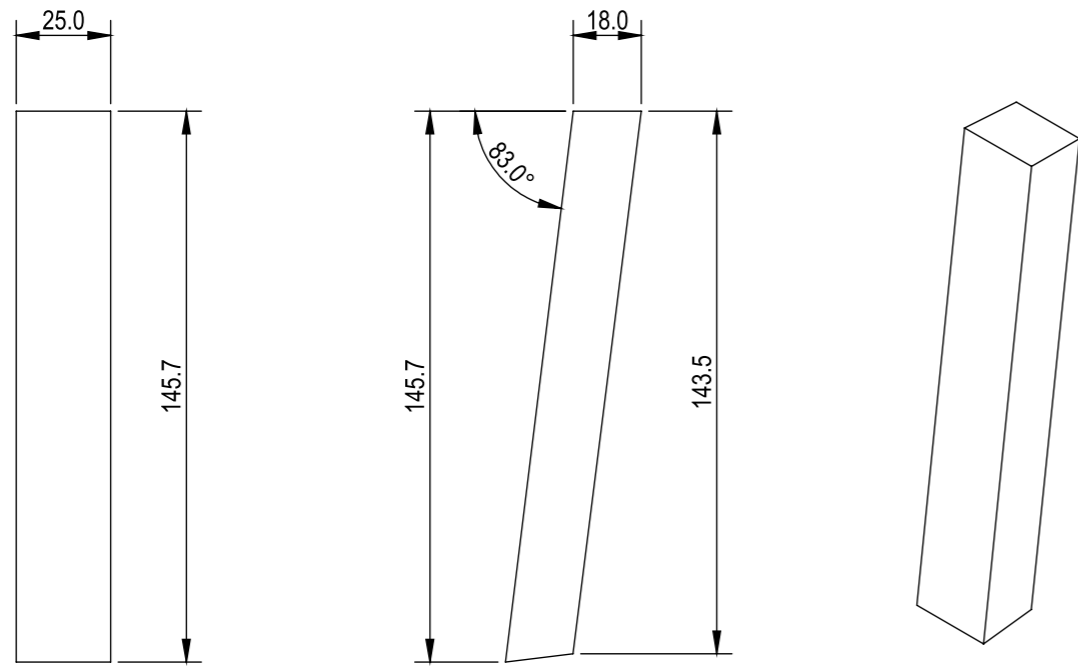


Ø 11.0 -11

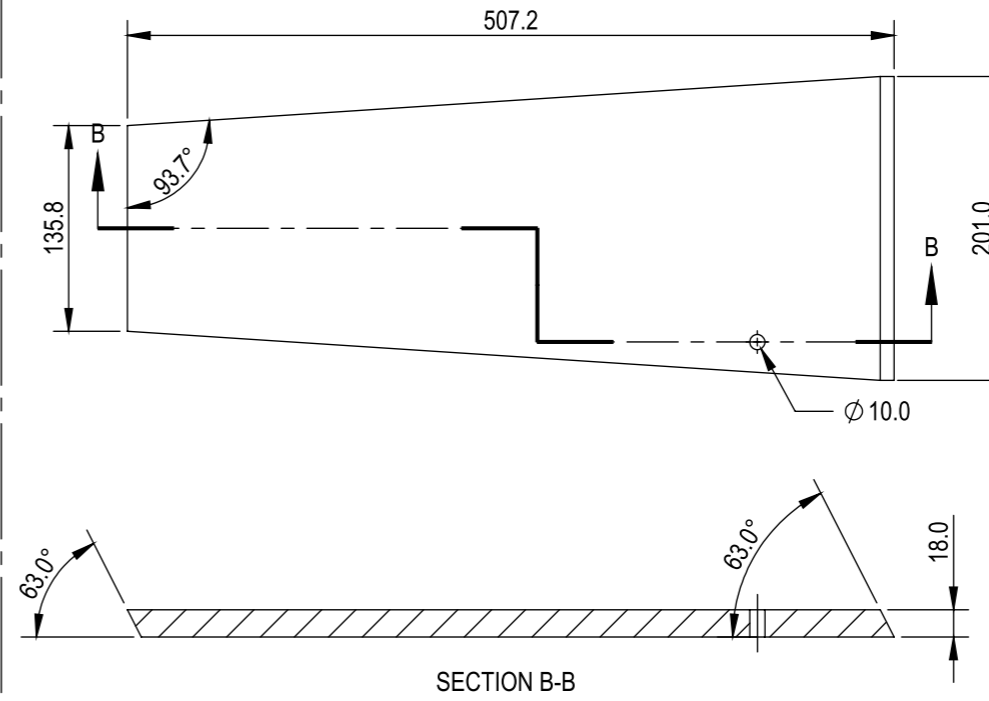
NOTE:

- All dimensions are before painting except depth
- Depth dimensions after painting could be same with drawing
- There is no defect on painting
- Paint thickness assumed 0.5 mm

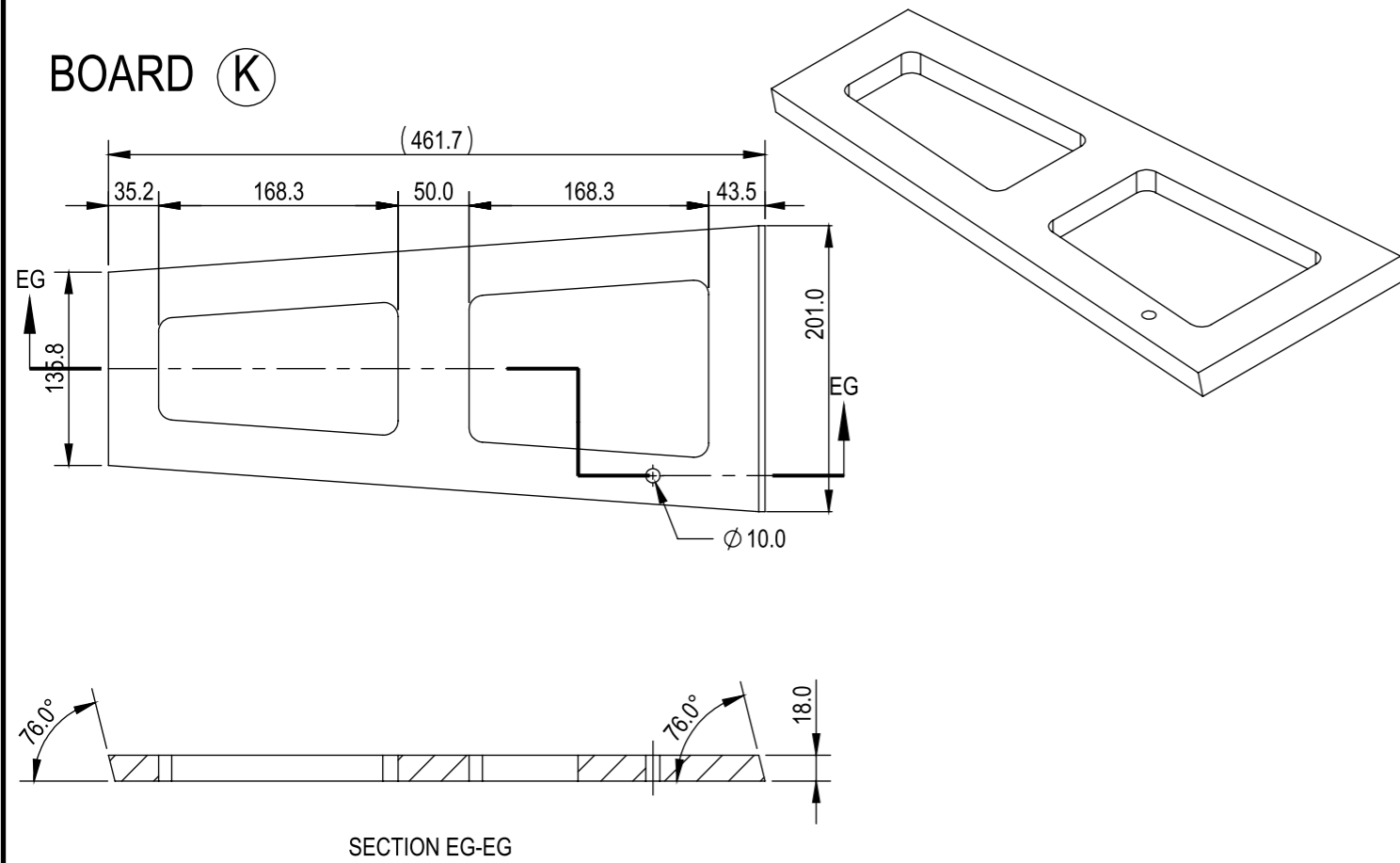
BOARD (J)



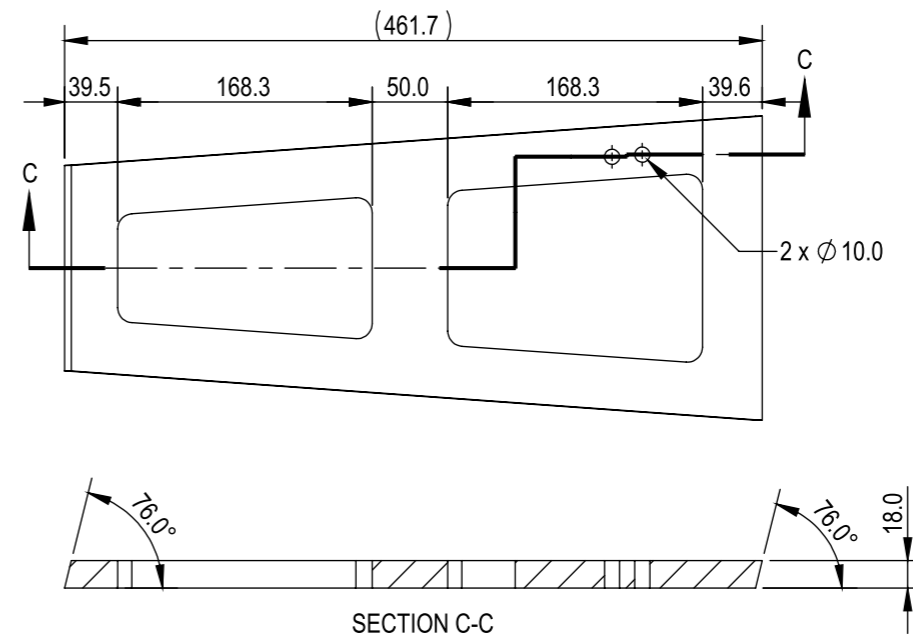
BOARD (L)



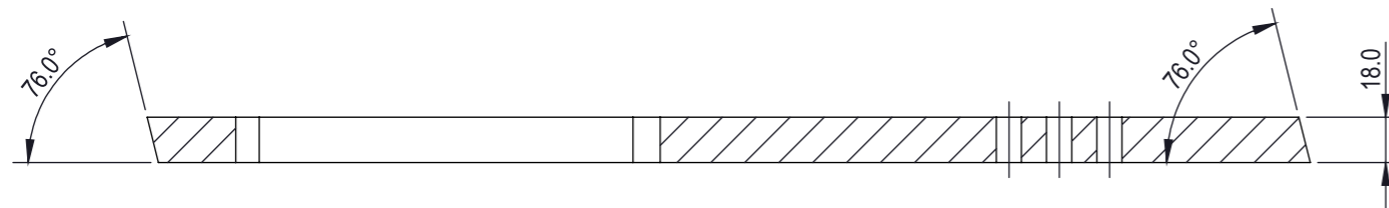
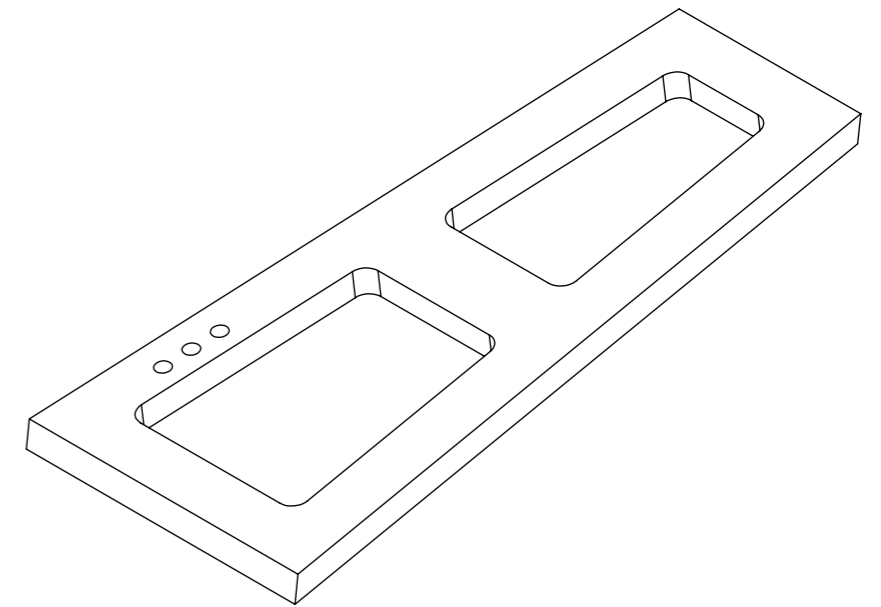
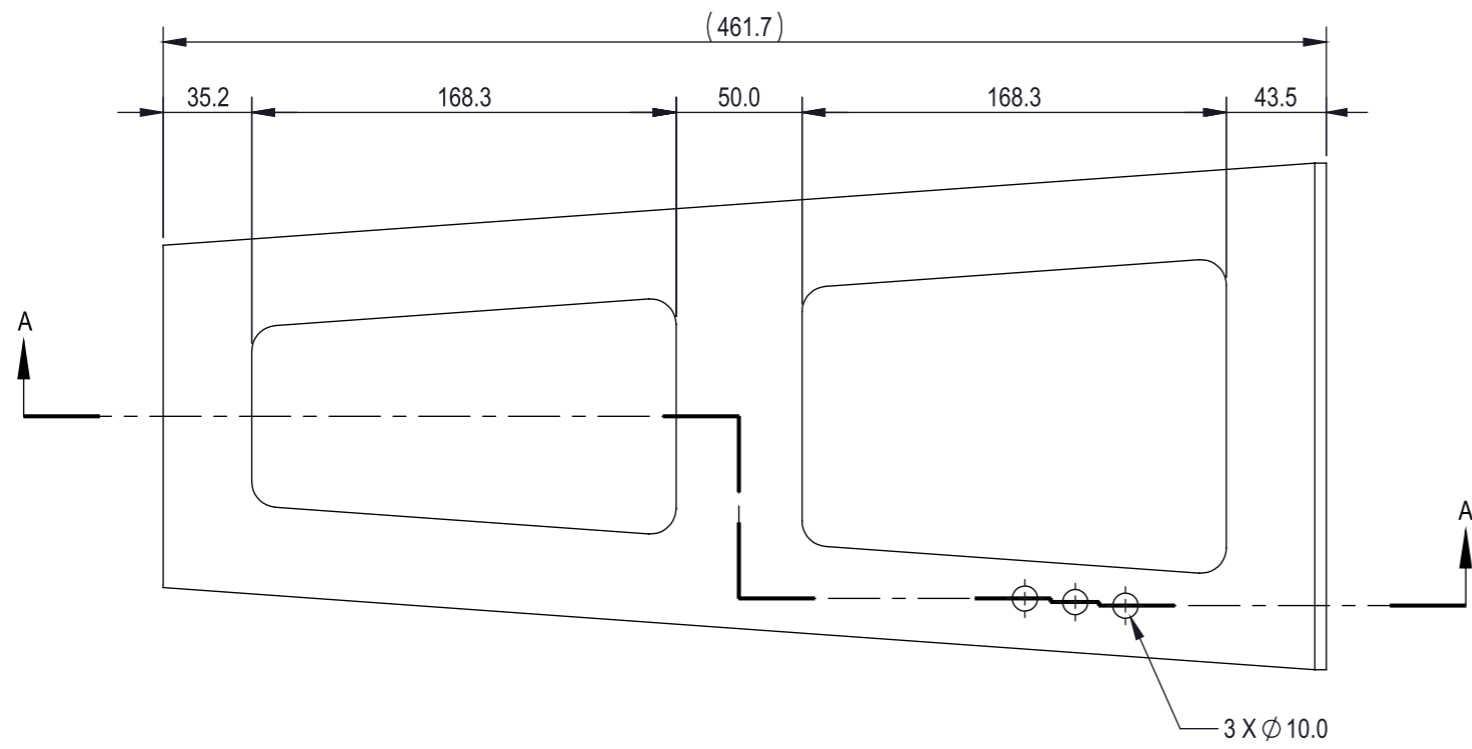
BOARD (K)



BOARD (M)



BOARD (N)



SECTION A-A
SCALE 1 : 3