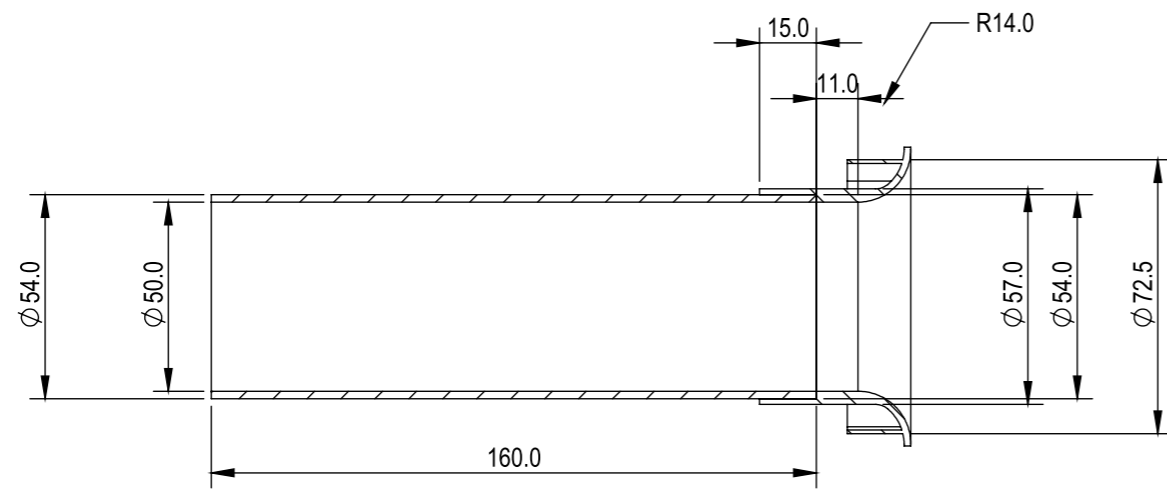


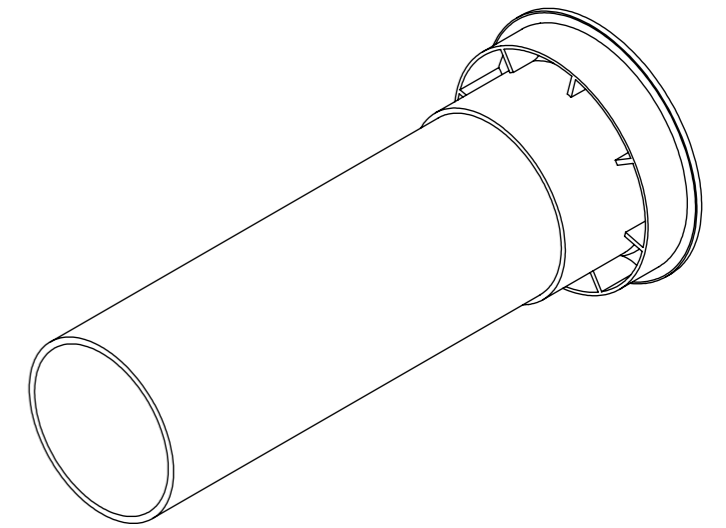
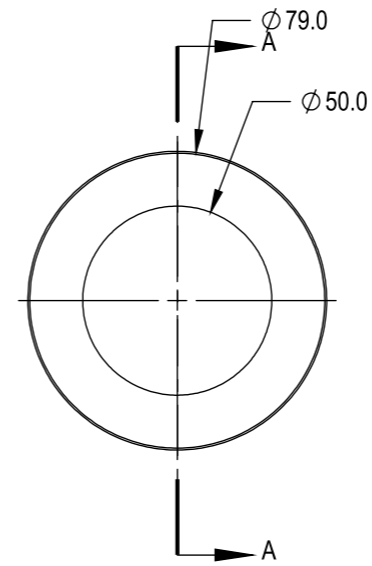
DETAIL "A"
SCALE 1 : 3

NO.	DESCRIPTION	QTY.
1	A. SATORI TW29R-B	1
	B. SATORI TW29BN-B	
	C. SATORI TW29TXN-B-8	
2	A. 6.5" SATORI MW16P-8	2
	B. 6.5" SATORI MW16P-8	
	C. 6.5" SATORI MW16TX-8	
3	A. RINJANI CROSSOVER	1
	B. RINJANI BE CROSSOVER	
	C. RINJANI TX CROSSOVER	
4	HEX SOCKET SCREW 4X20MM (FOR DRIVER)	18
5	HEX SOCKET SCREW 4X30MM (FOR PEDESTAL)	12
6	COUNTERSUNK SCREW 4X20MM (FOR TERMINAL PLATE)	4
7	WOOD SCREW 4X16MM (FROM KIT CROSSOVER)	6
8	INSERT NUT M4 (INSTALLED)	34
9	STAINLESS STEEL TERMINAL PANEL	1
10	BINDING POST (-) (BLACK)	1
11	BINDING POST (+) (RED)	1
12	SEAL GASKET (FOR TERMINAL PLATE)	1
13	SEAL GASKET (FOR PEDESTAL)	1
14	PORT FLARE D:50mm (INSTALLED ON CABINET)	2
15	PAPER TUBE D:50mm L:160mm (INSTALLED ON CABINET)	2
16	NAME PLATE	1
17	GRILLE FOR TWEETER	1
18	GRILLE FOR WOOFER	2
19	DAMPING MATERIAL (SEE CUT PATTERN)	1

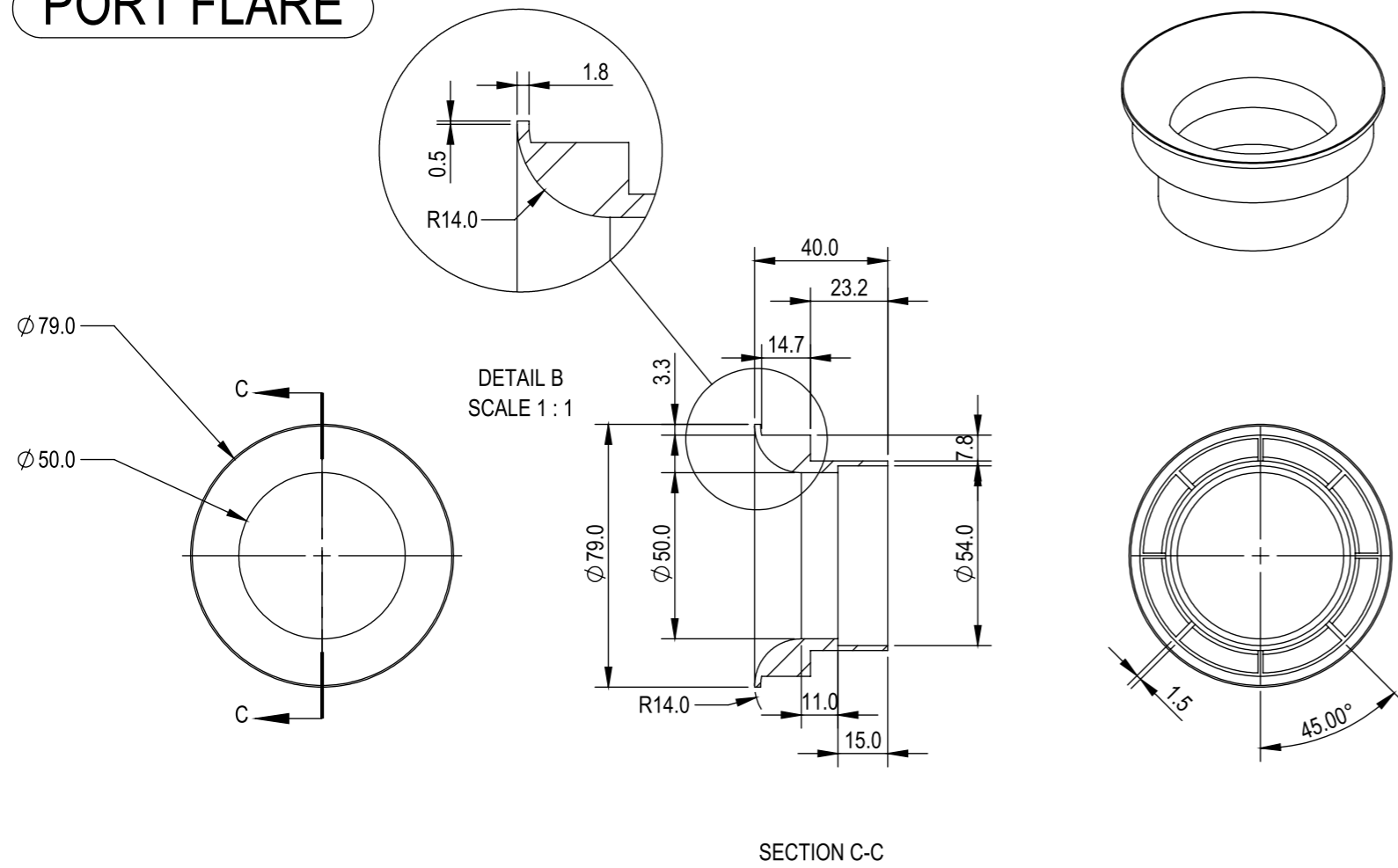
PORT - SBA - RINJANI



SECTION A-A

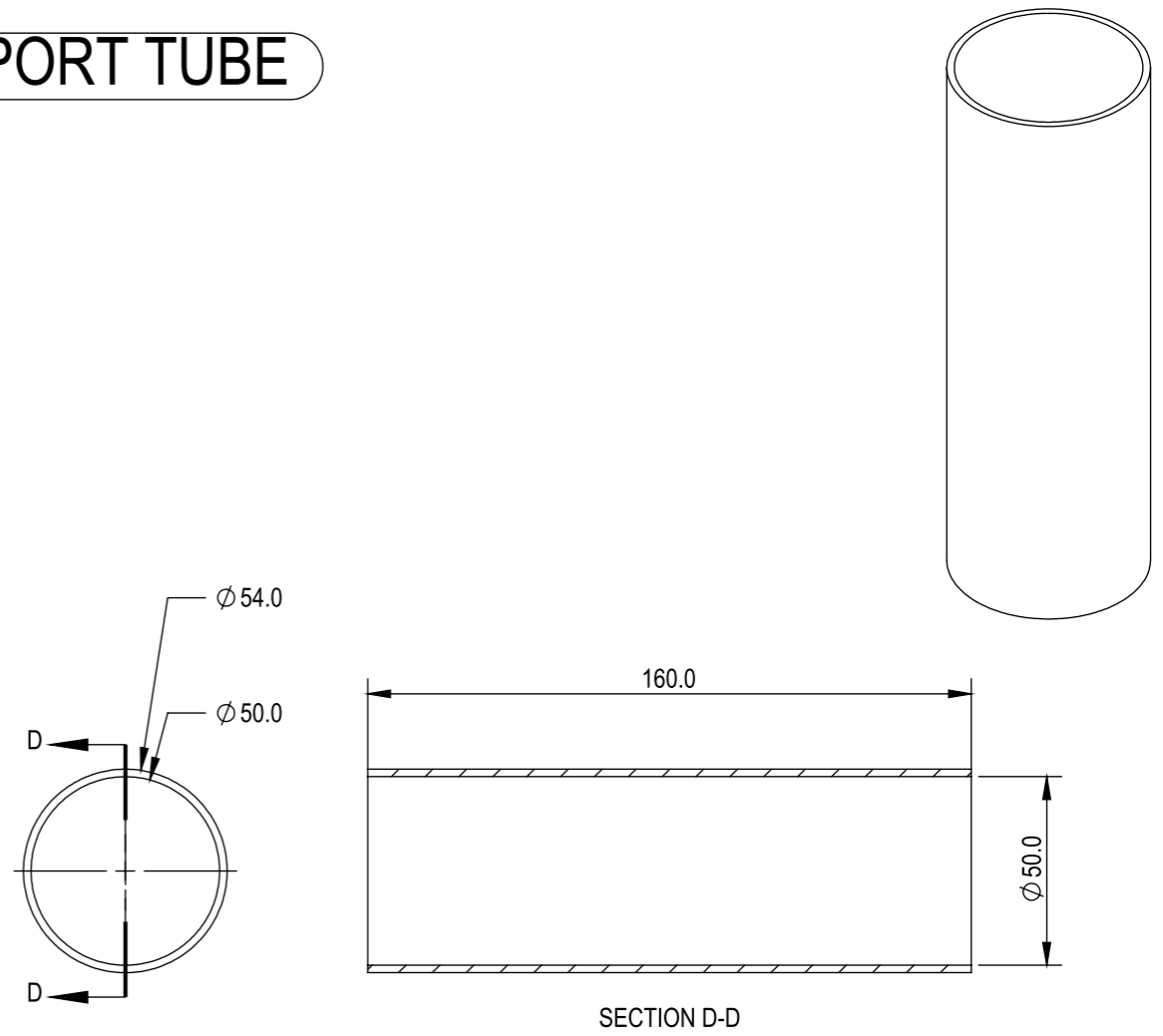


PORT FLARE

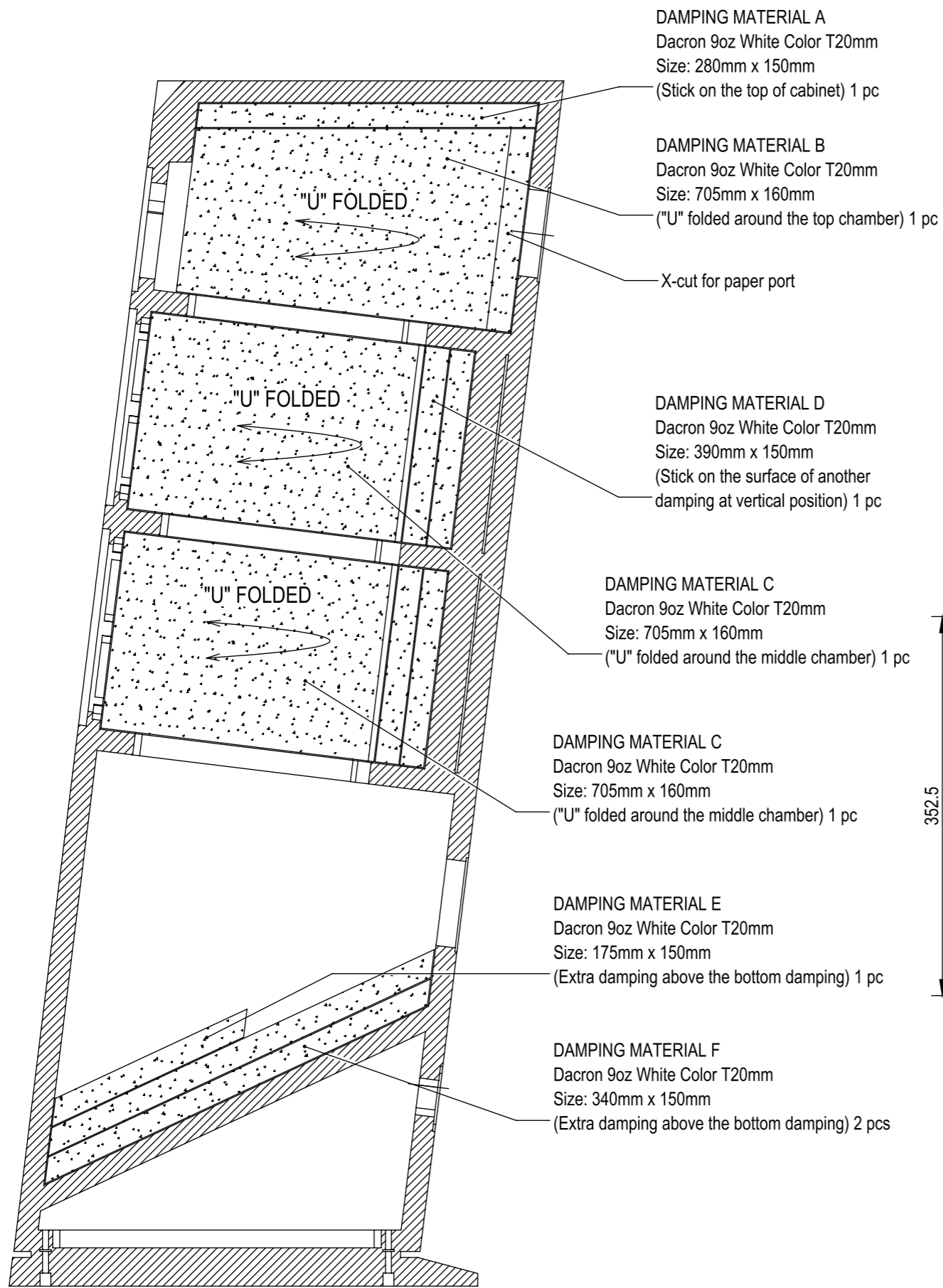


SECTION C-C

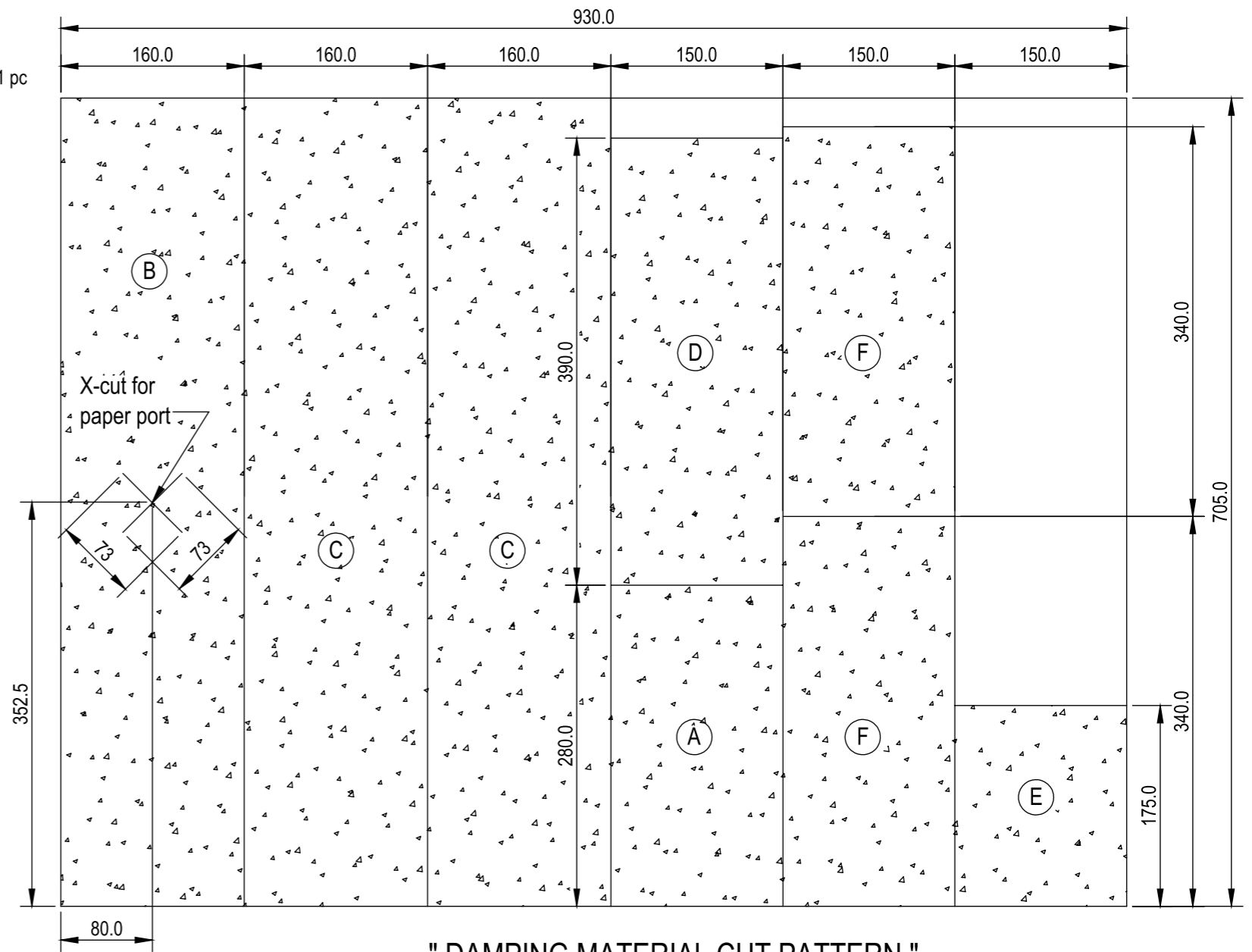
PORT TUBE



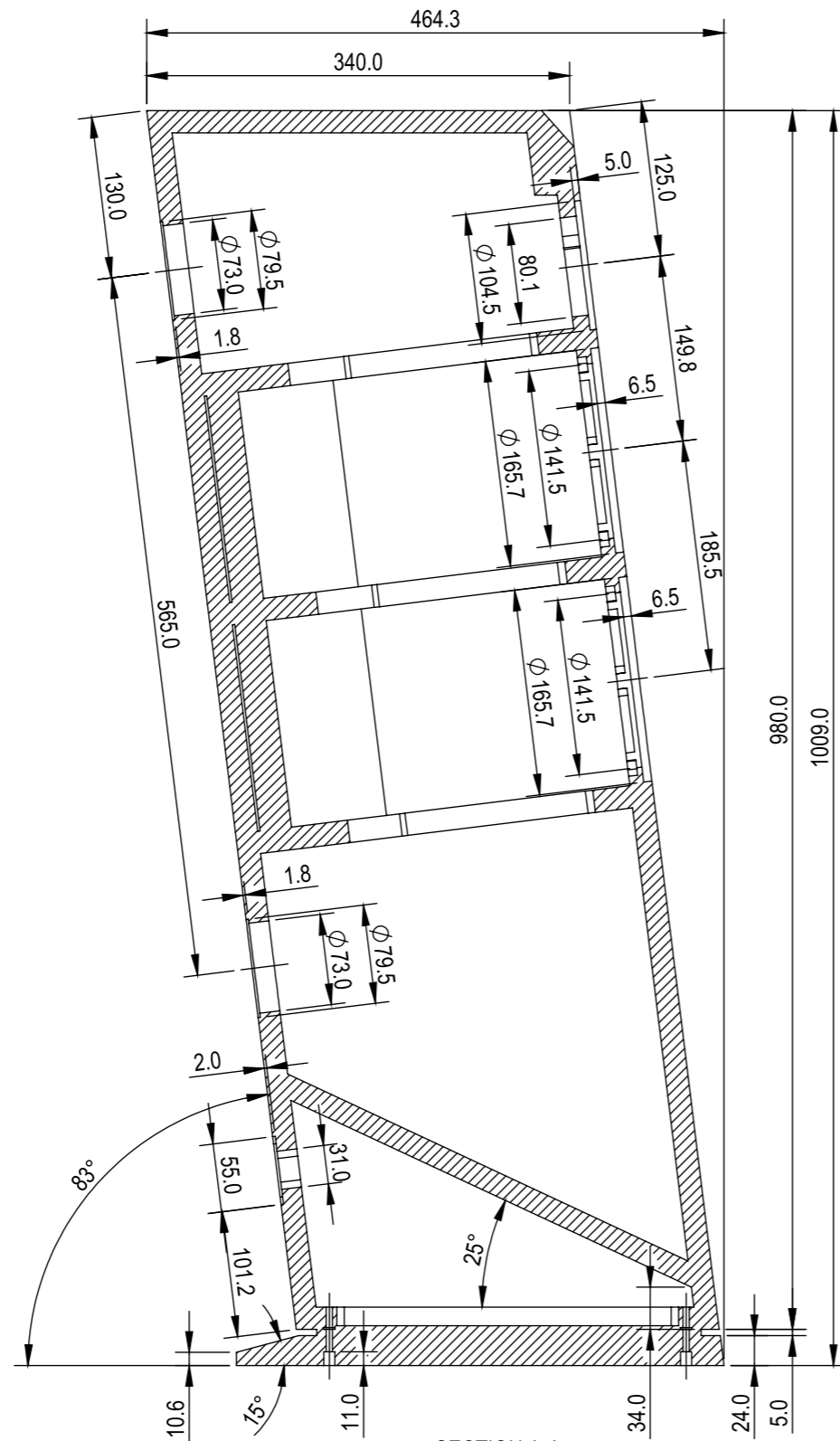
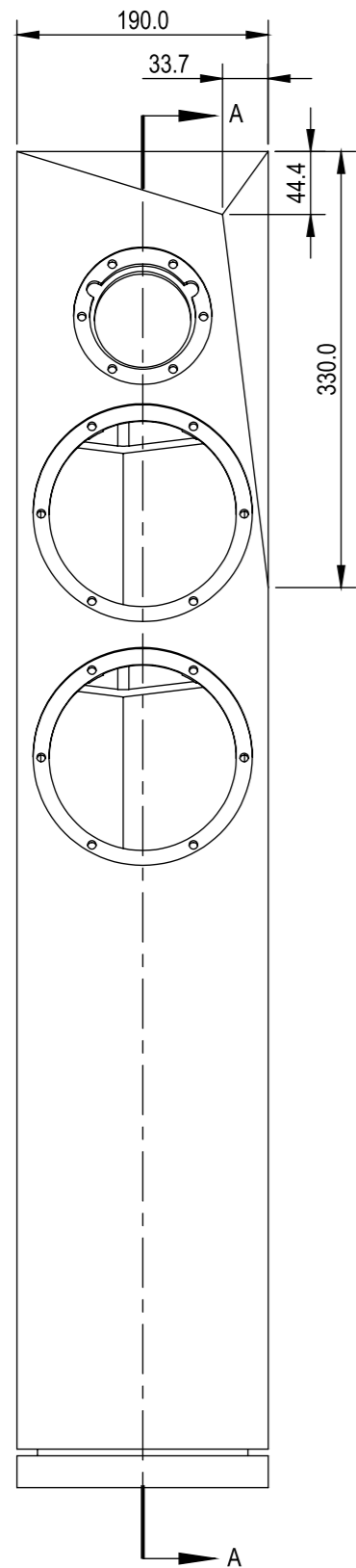
SECTION D-D



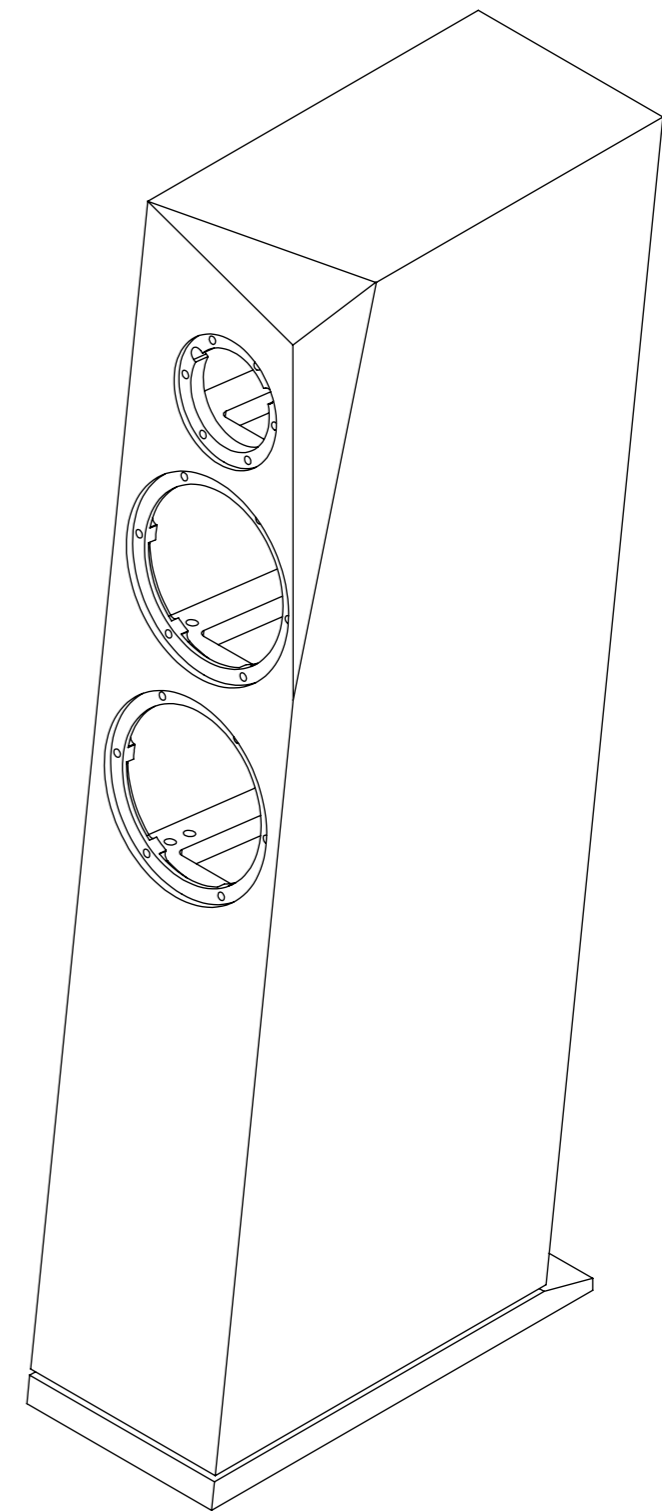
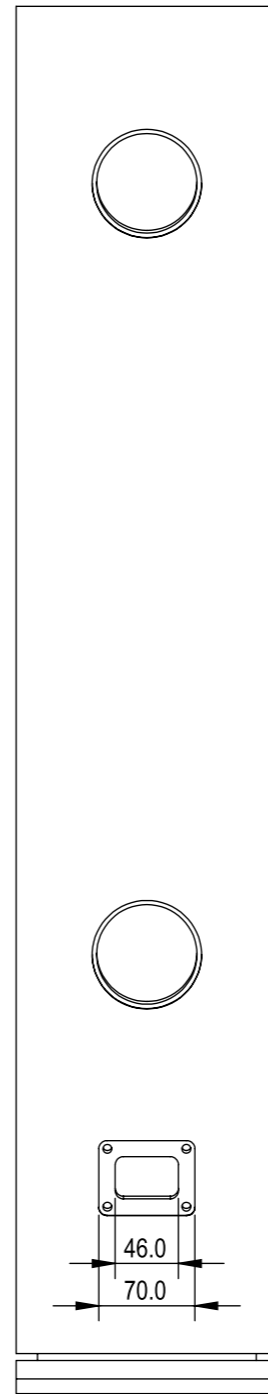
" SECTION VIEW "



" DAMPING MATERIAL CUT PATTERN "

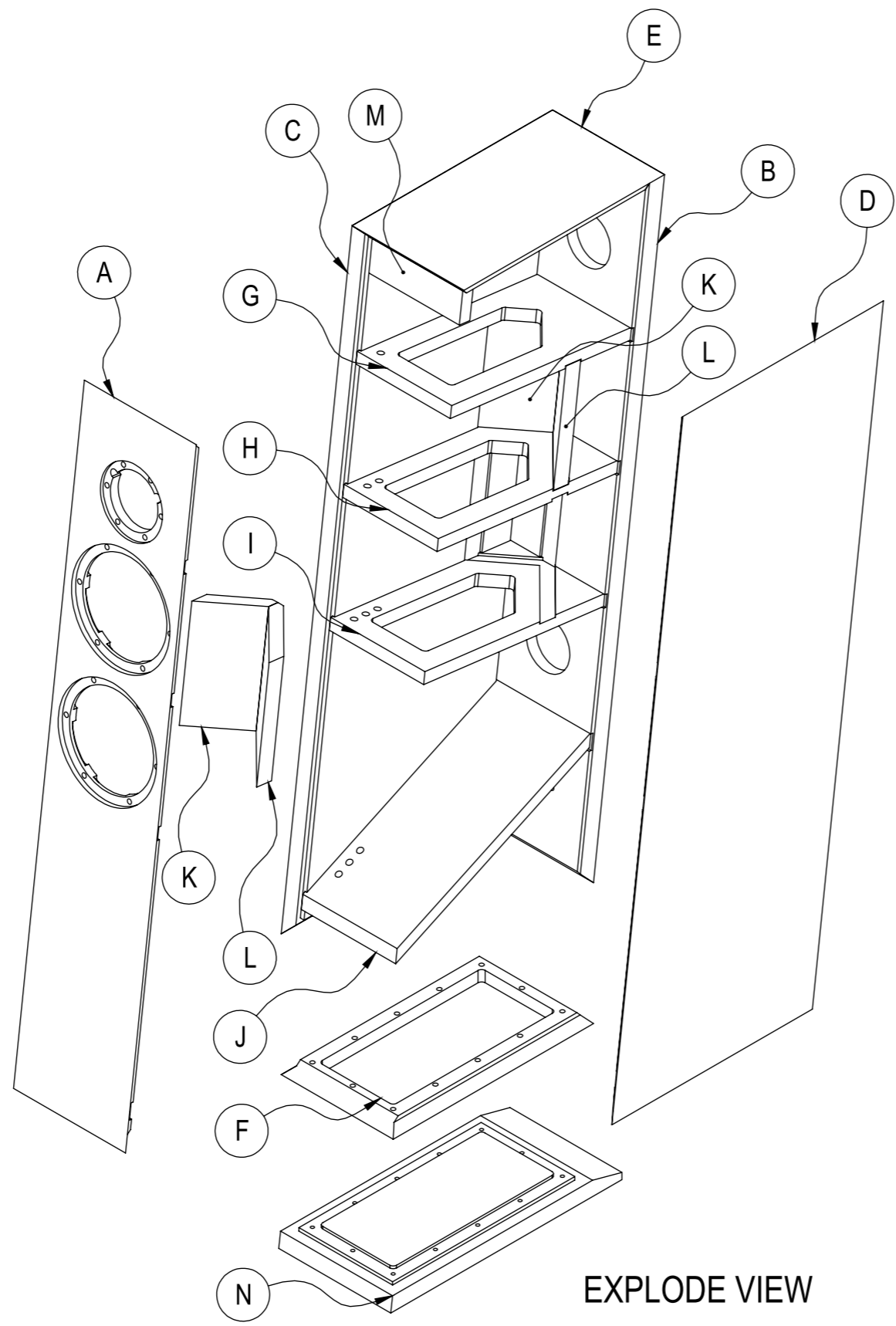


SECTION A-A
SCALE 1 : 5.5

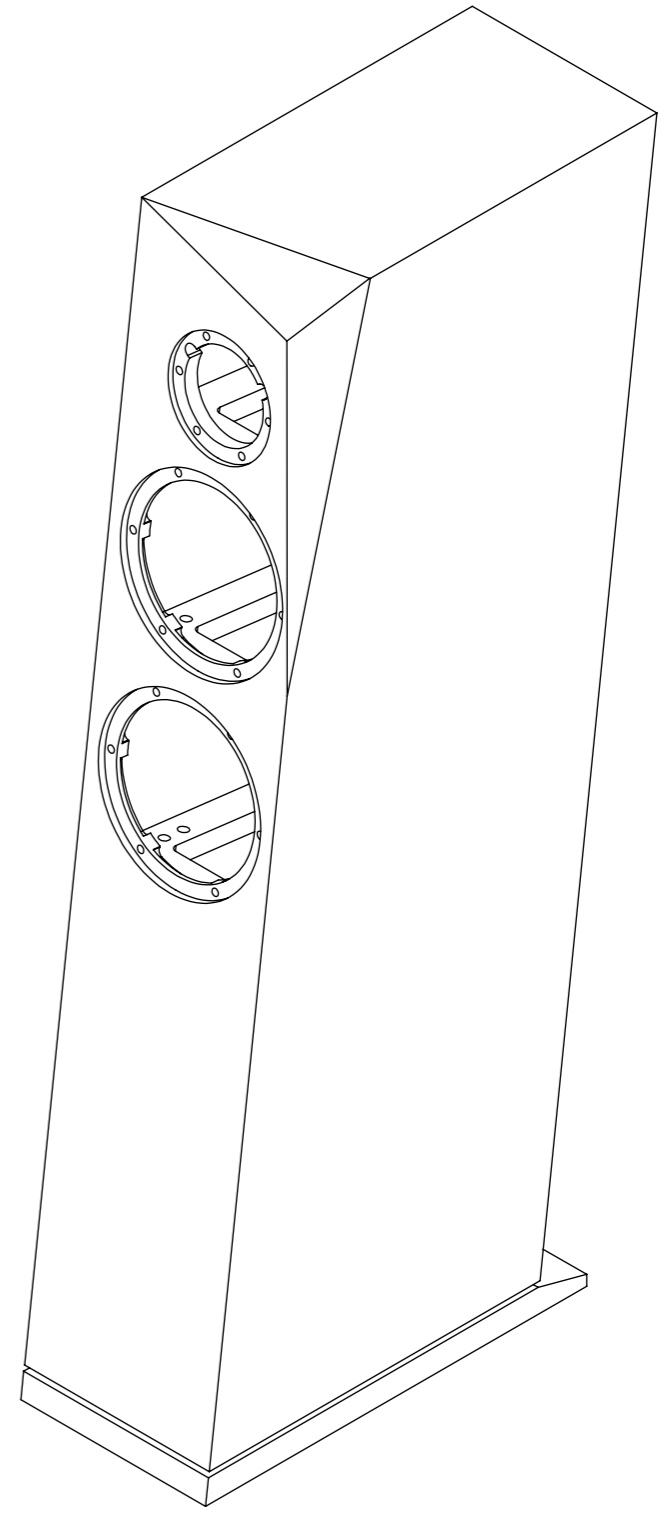


NOTE:

- All dimensions are before painting except depth
- Depth dimensions after painting should be same with drawing
- There is no defect on painting
- Paint thickness assumed 0.5 mm
- Left Cabinet shown and Right Cabinet is mirrored by Left Cabinet

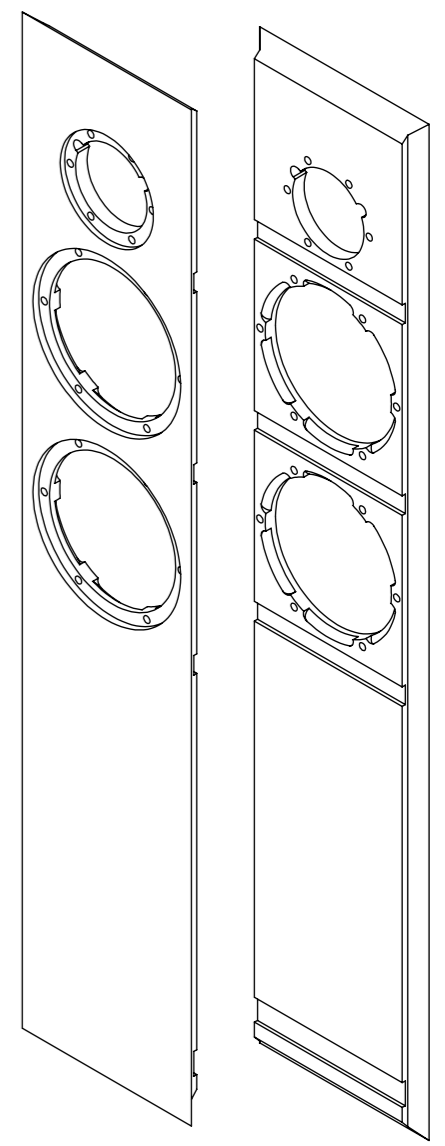
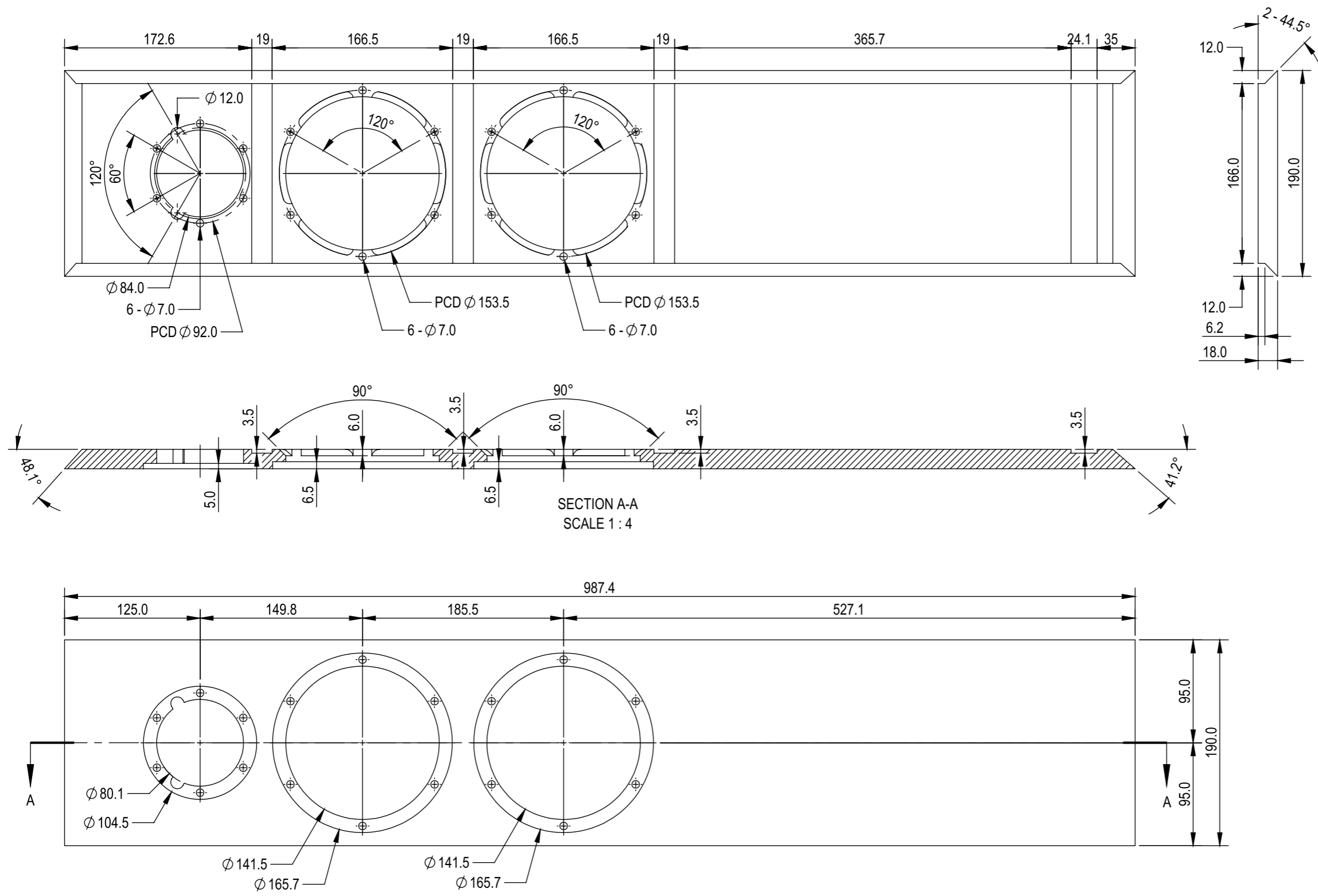


EXPLODE VIEW



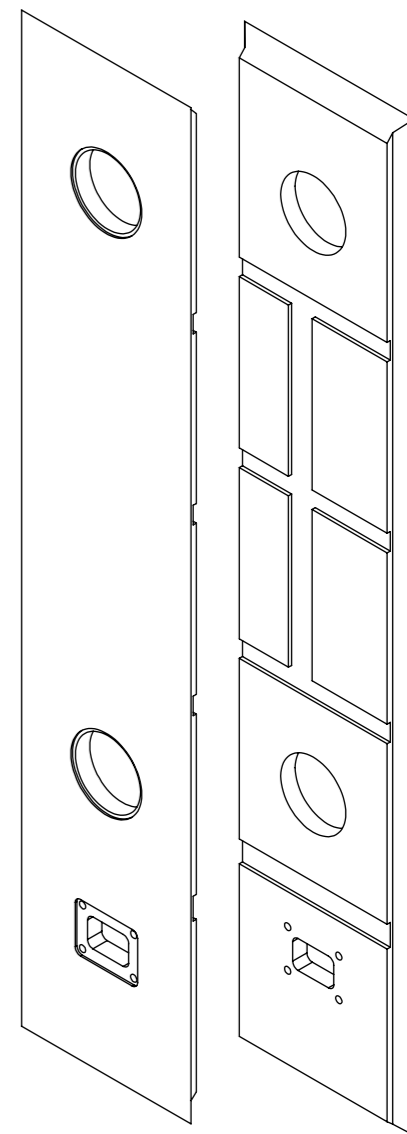
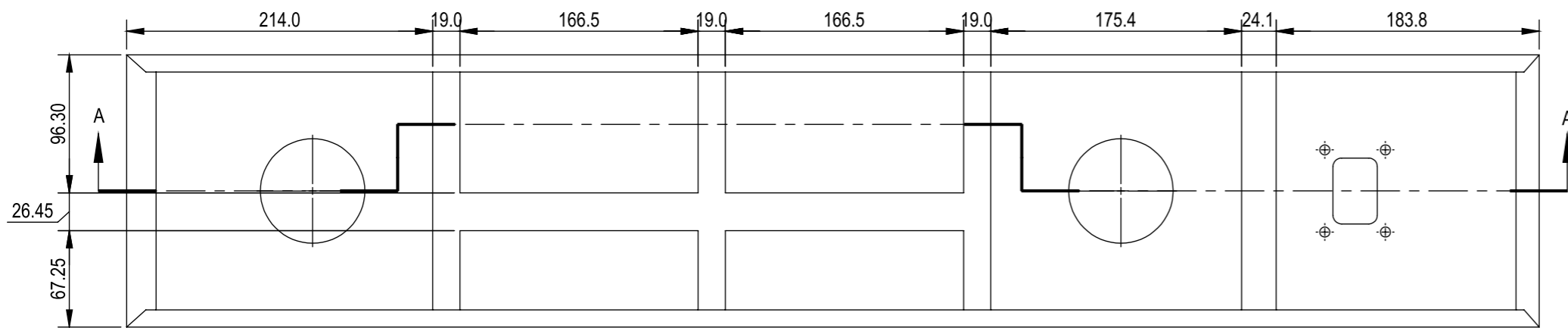
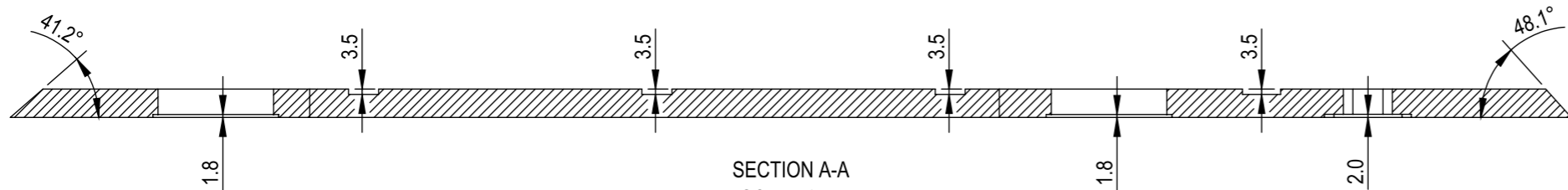
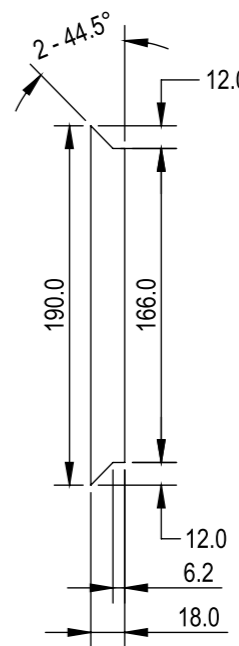
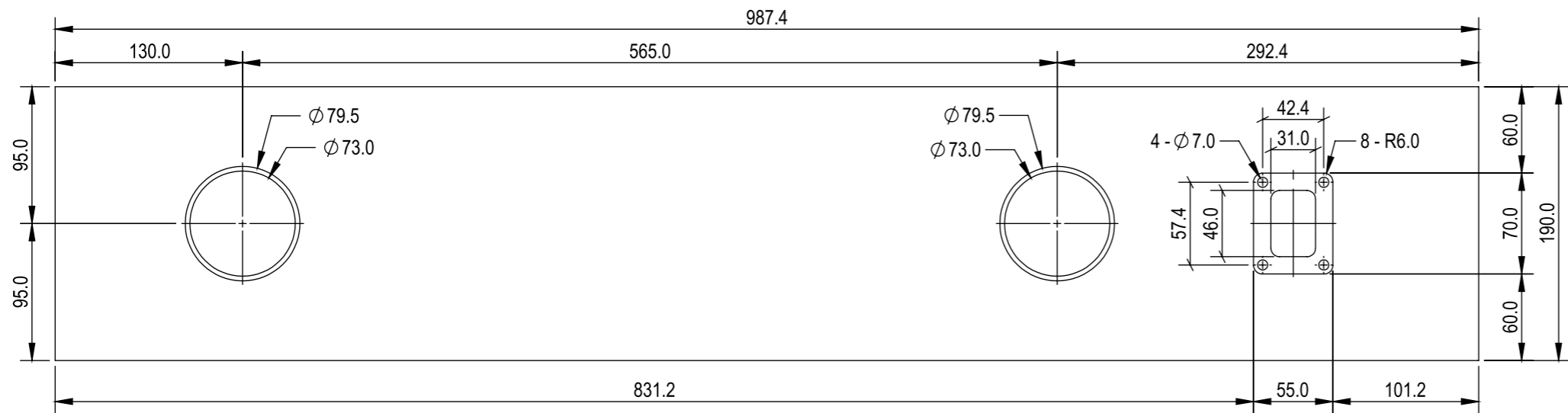
Left Cabinet shown and Right Cabinet is mirrored by Left Cabinet

BOARD A



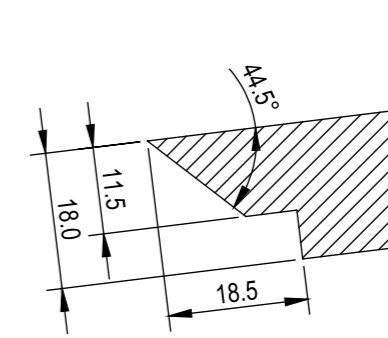
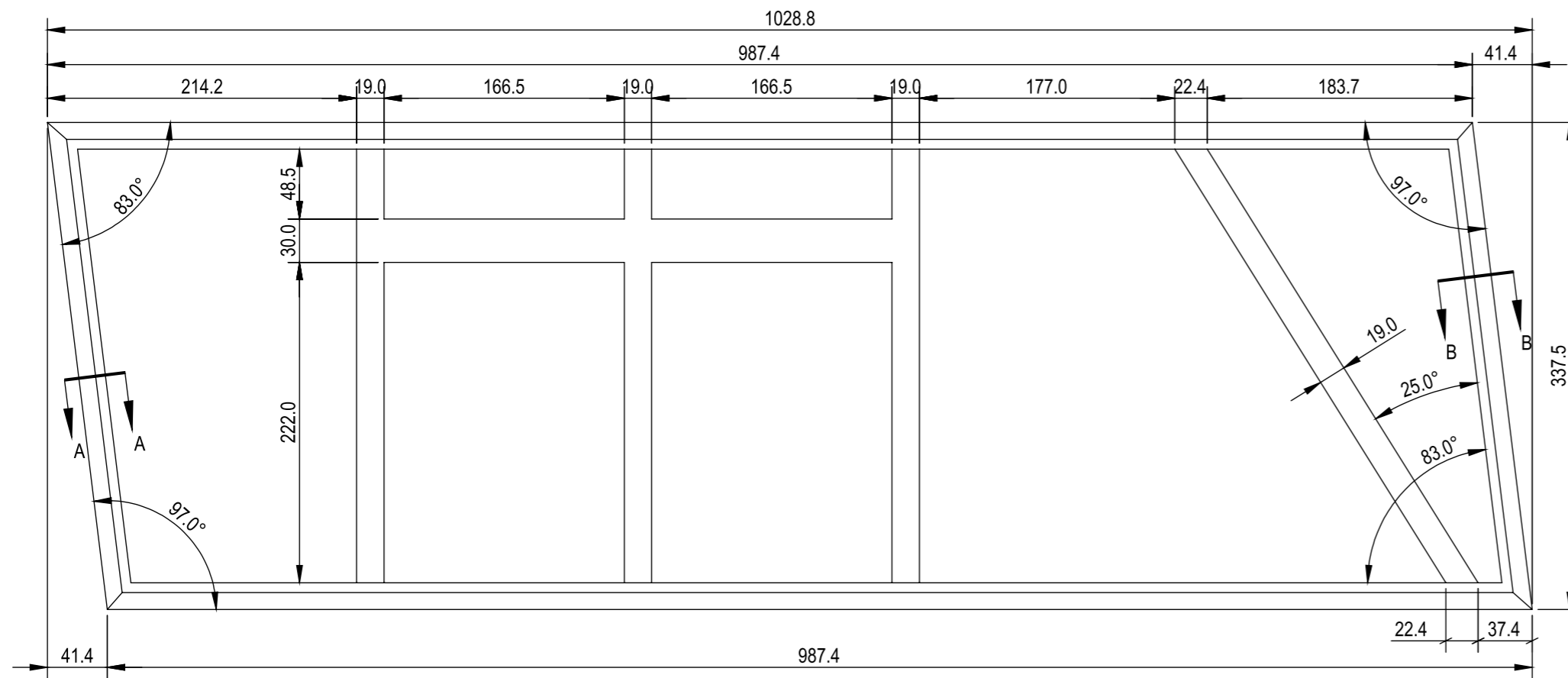
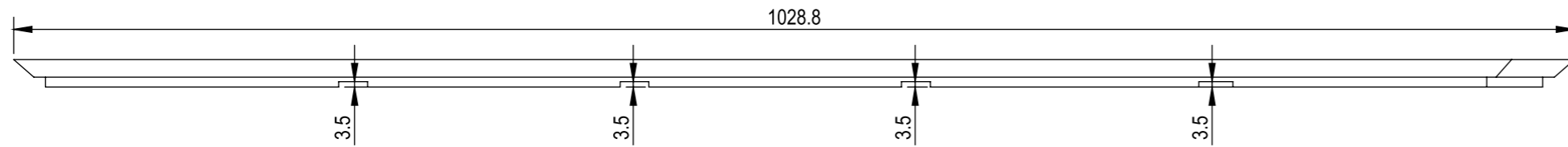
- NOTE:
- All dimensions are before painting except depth
 - Depth dimensions after painting should be same with drawing
 - There is no defect on painting
 - Paint thickness assumed 0.5 mm
 - Left Cabinet shown and Right Cabinet is mirrored by Left Cabinet

BOARD B

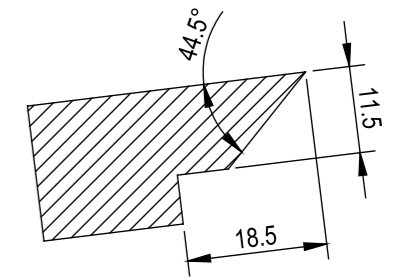


- NOTE:
- All dimensions are before painting except depth
 - Depth dimensions after painting should be same with drawing
 - There is no defect on painting
 - Paint thickness assumed 0.5 mm
 - Left Cabinet shown and Right Cabinet is mirrored by Left Cabinet

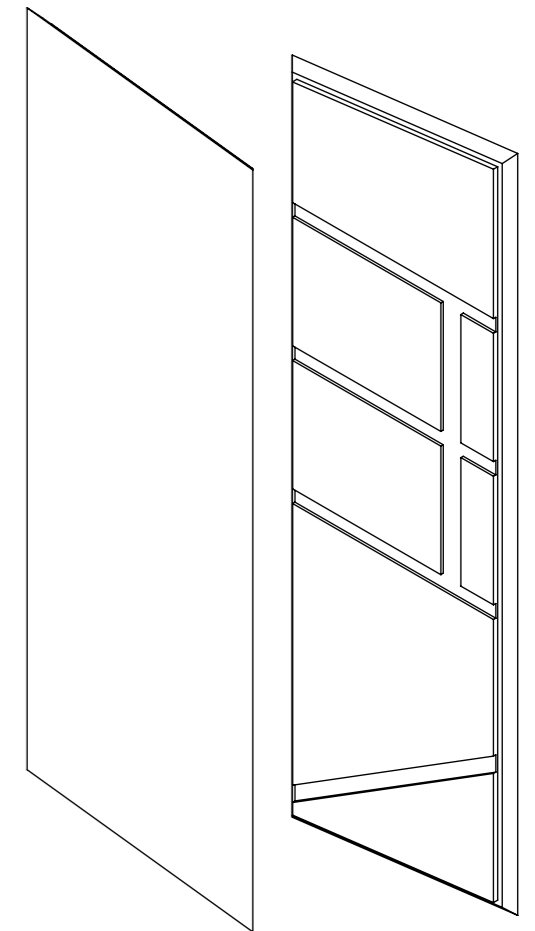
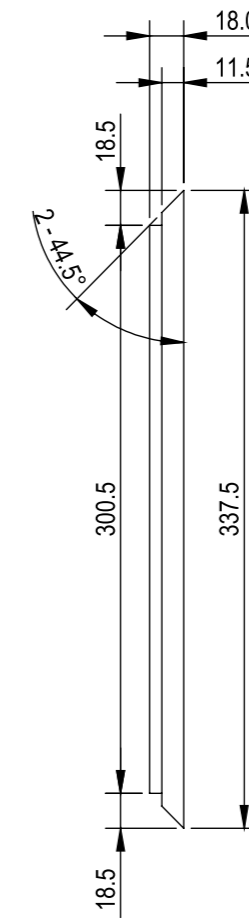
BOARD C



SECTION A-A
SCALE 1:1



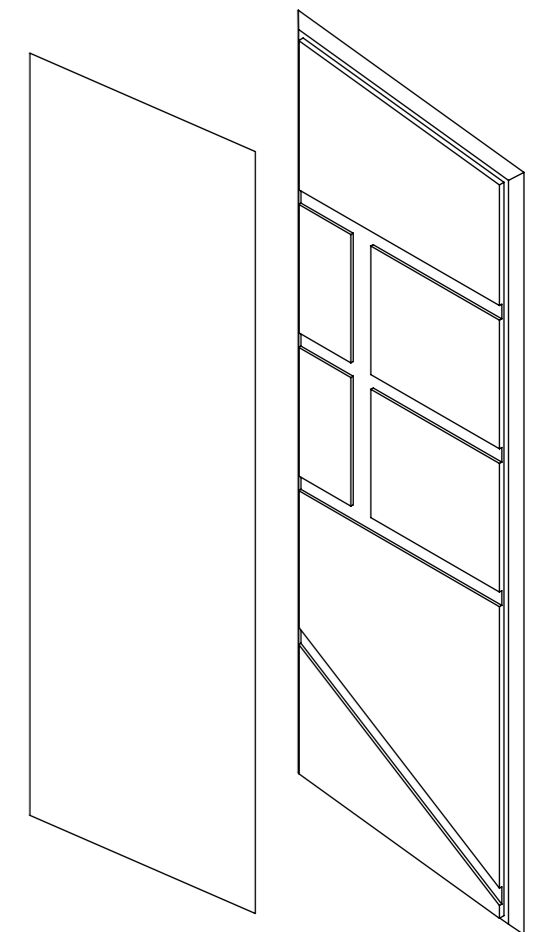
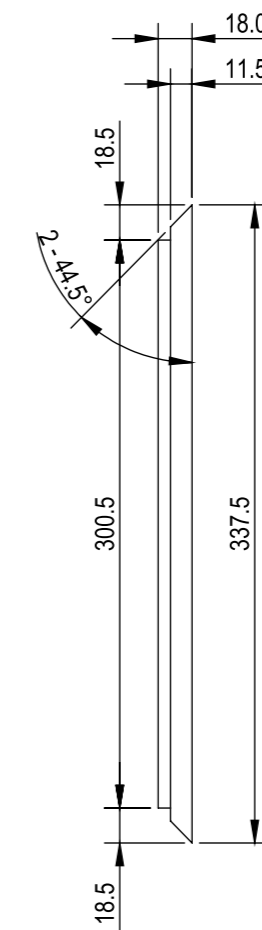
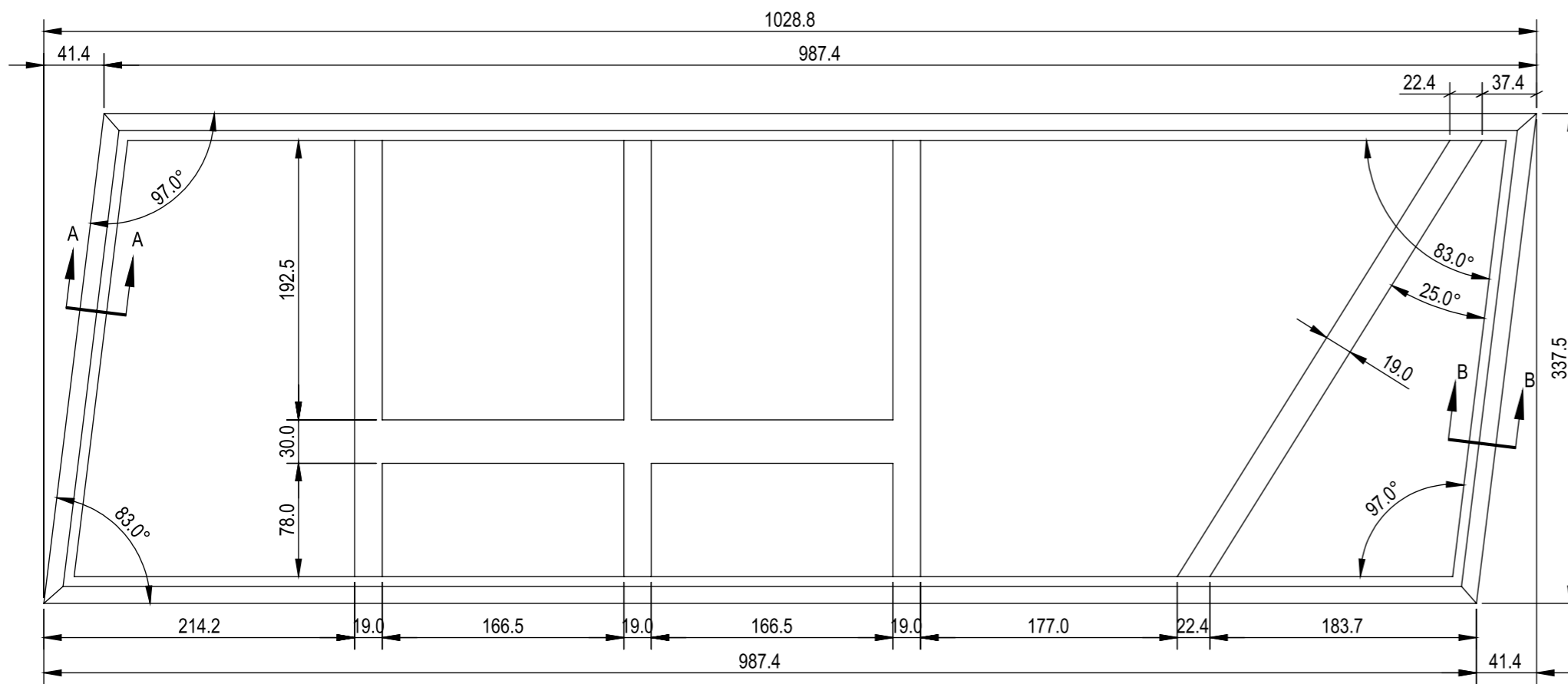
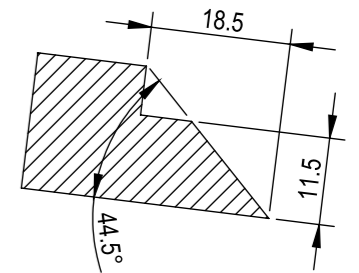
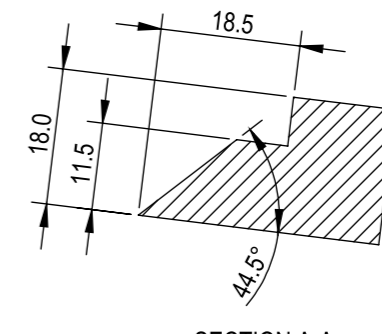
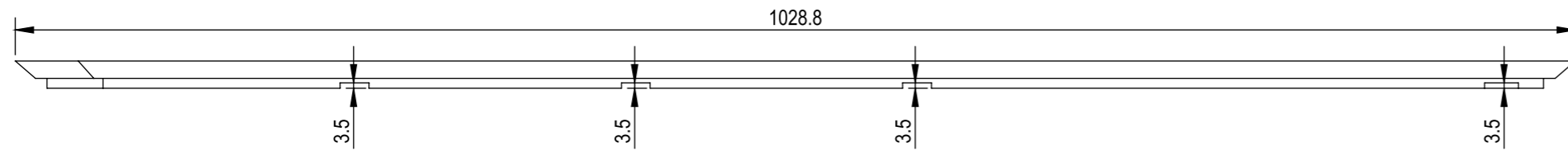
SECTION B-B
SCALE 1:1



NOTE:

- All dimensions are before painting except depth
- Depth dimensions after painting should be same with drawing
- There is no defect on painting
- Paint thickness assumed 0.5 mm
- Left Cabinet shown and Right Cabinet is mirrored by Left Cabinet

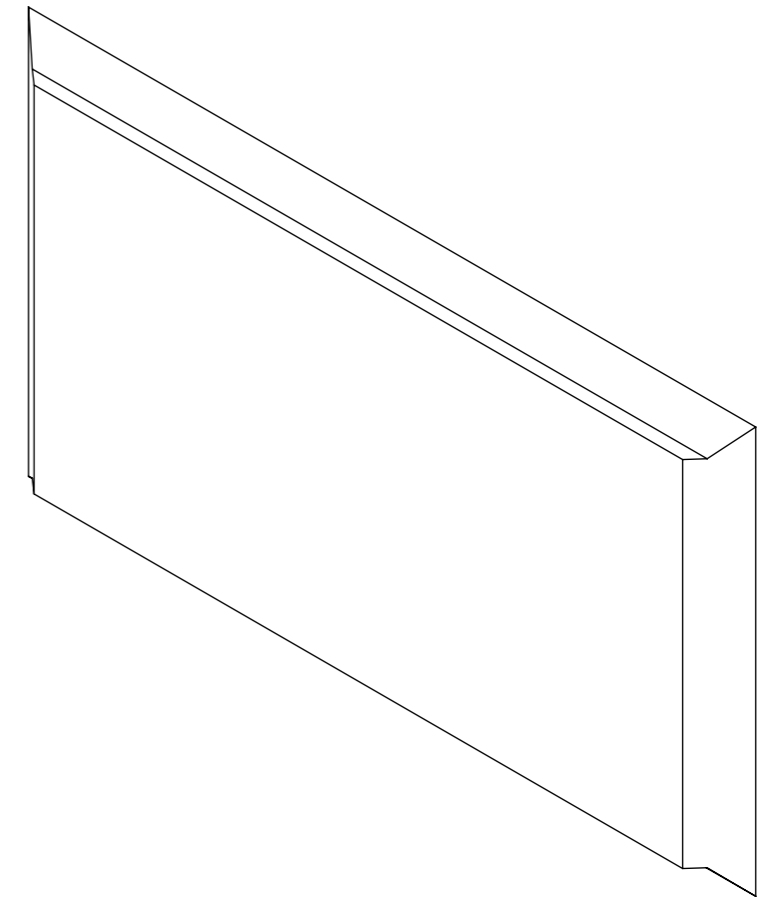
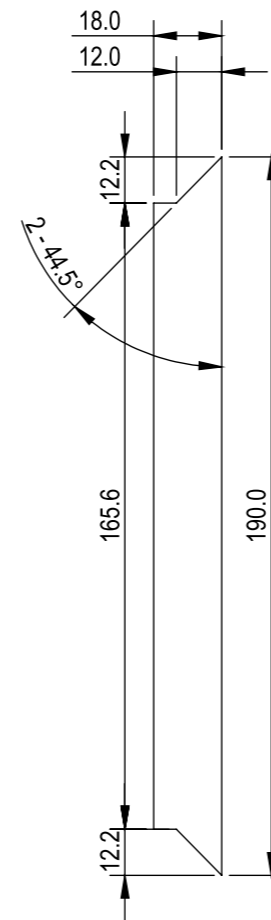
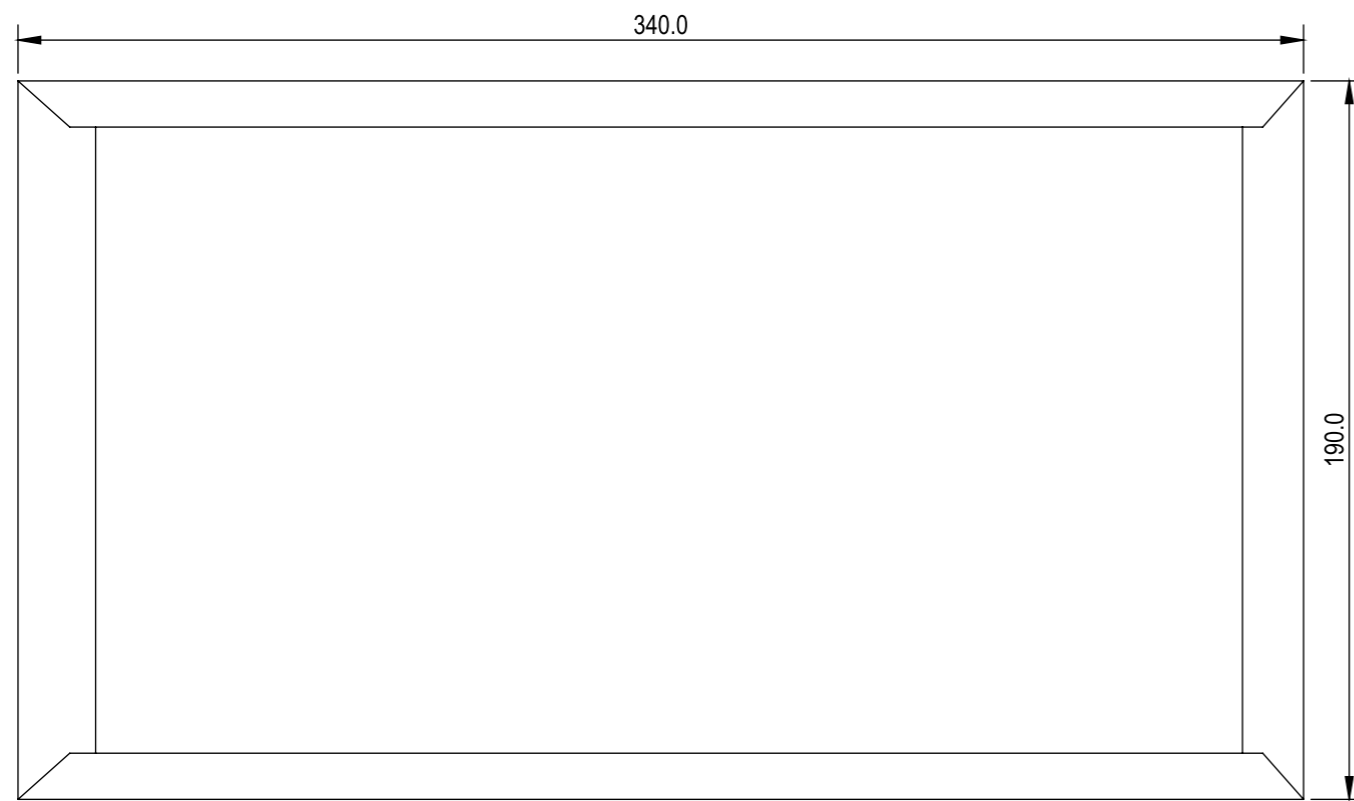
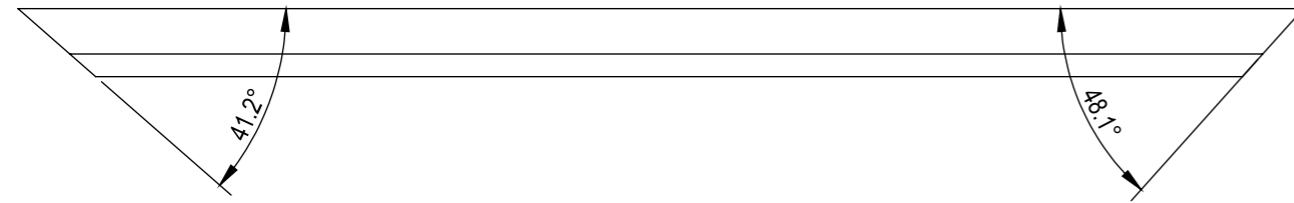
BOARD (D)



NOTE:

- All dimensions are before painting except depth
- Depth dimensions after painting should be same with drawing
- There is no defect on painting
- Paint thickness assumed 0.5 mm
- Left Cabinet shown and Right Cabinet is mirrored by Left Cabinet

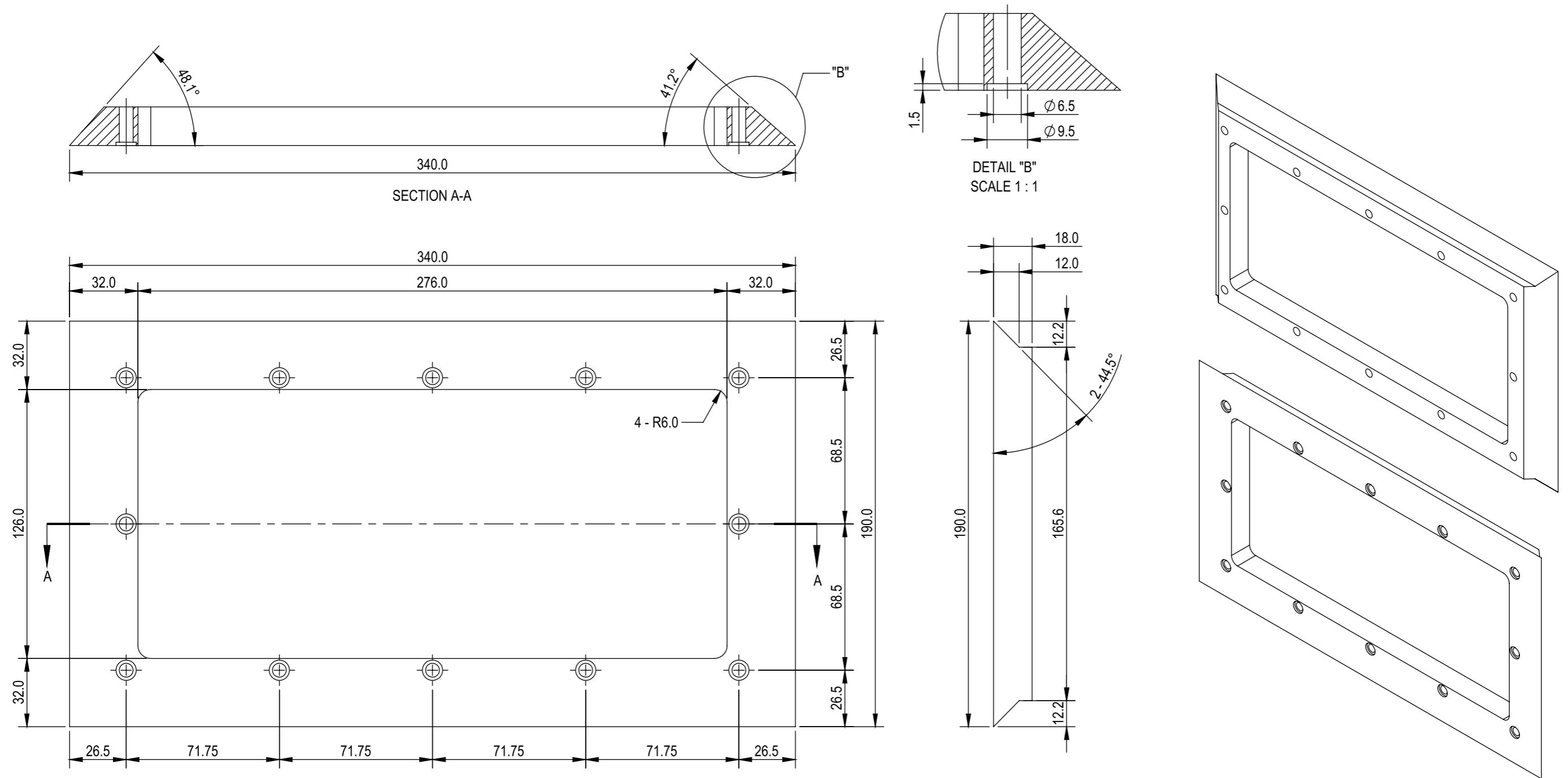
BOARD (E)



NOTE:

- All dimensions are before painting except depth
- Depth dimensions after painting should be same with drawing
- There is no defect on painting
- Paint thickness assumed 0.5 mm
- Left Cabinet shown and Right Cabinet is mirrored by Left Cabinet

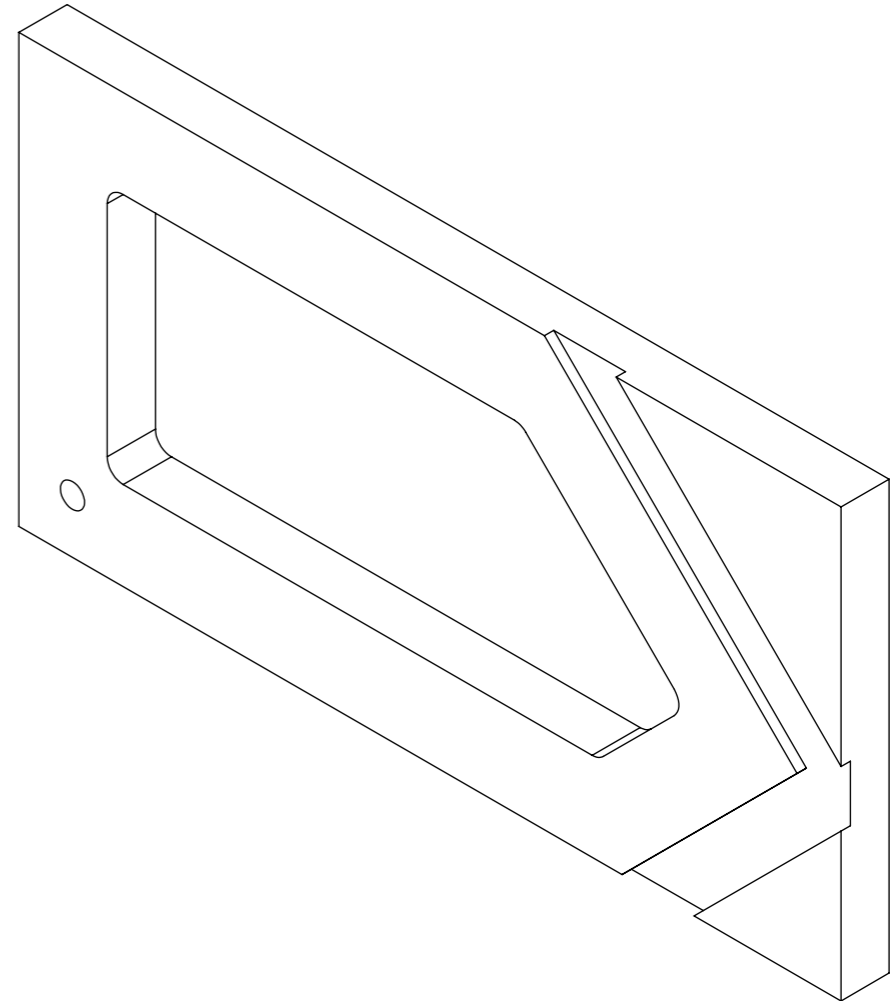
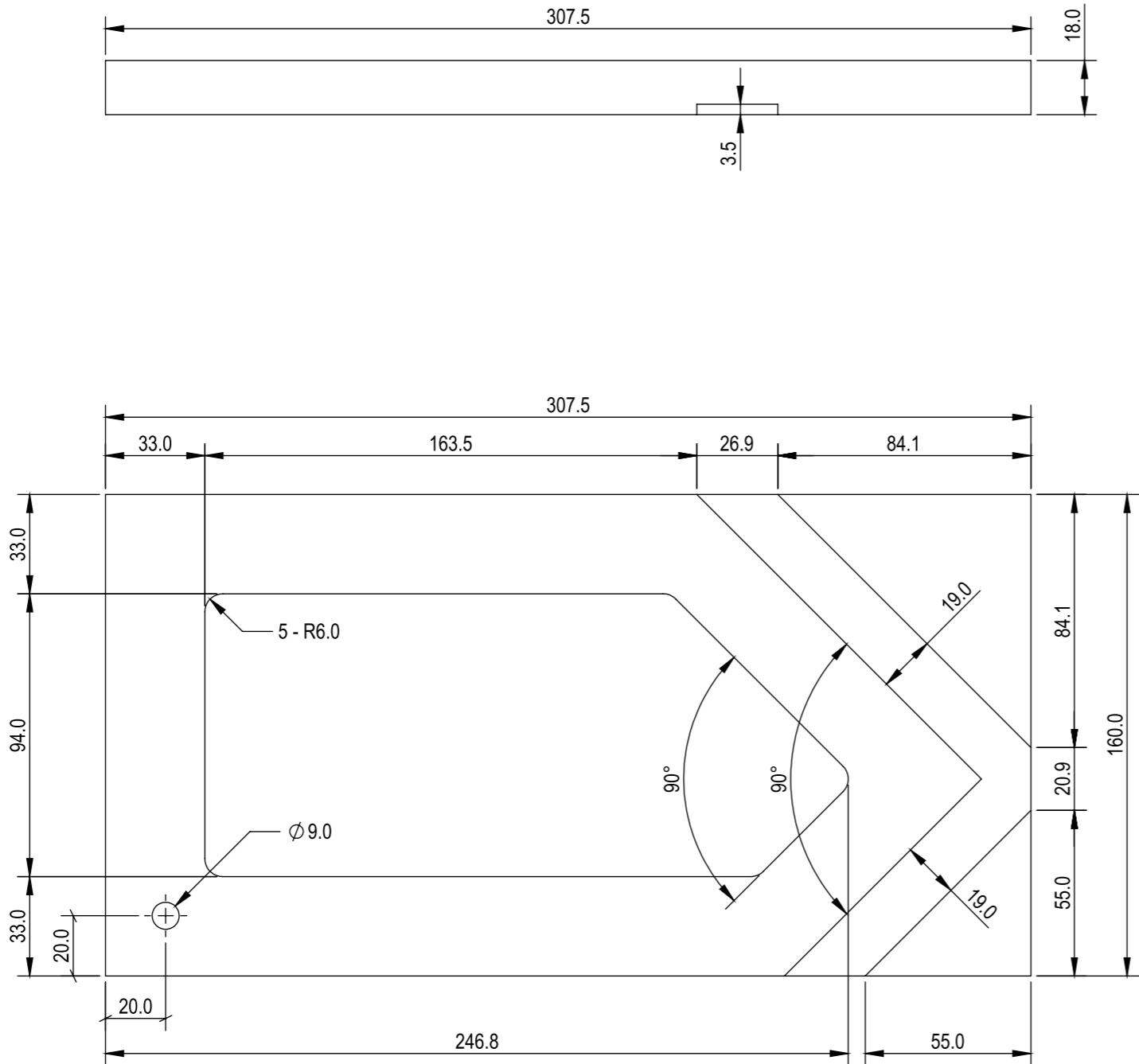
BOARD (F)



NOTE:

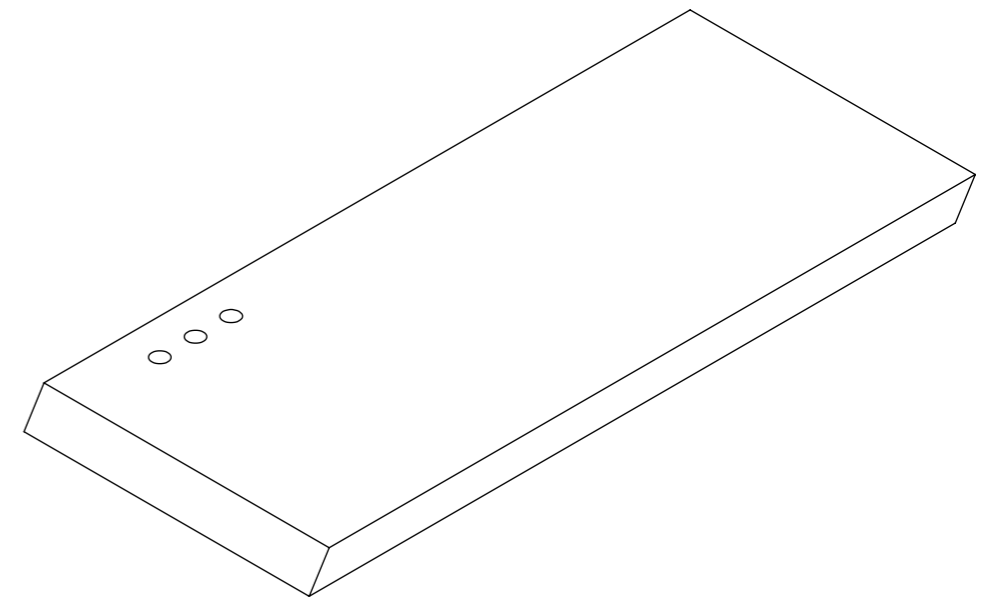
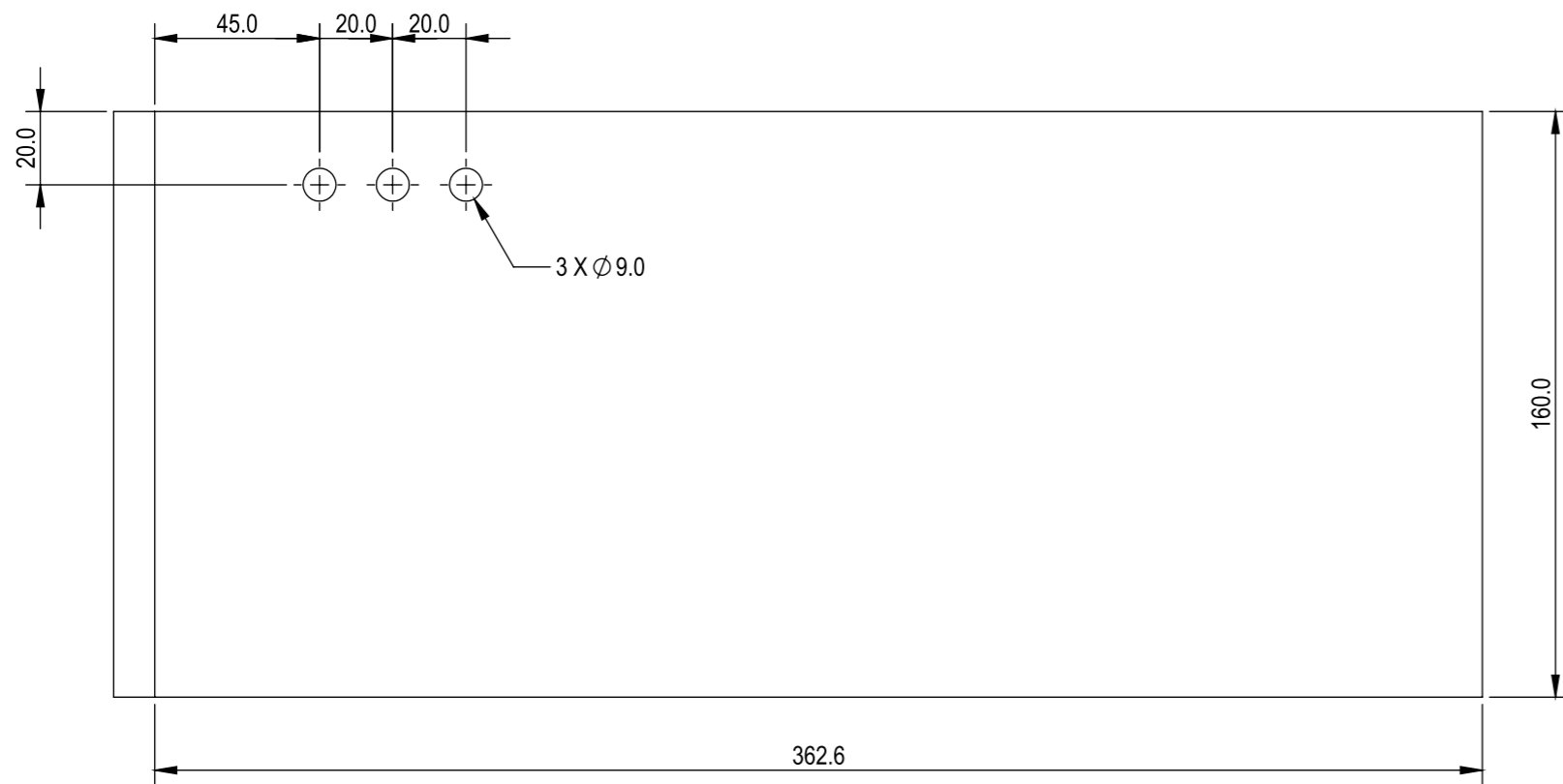
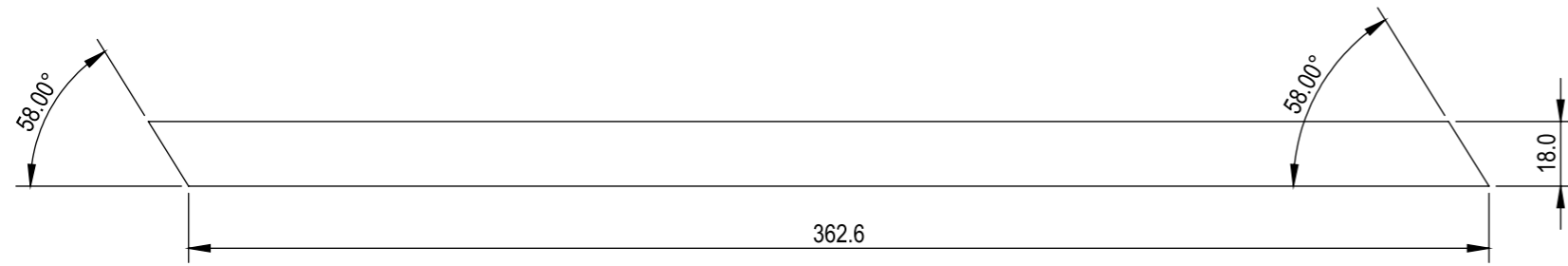
- All dimensions are before painting except depth
- Depth dimensions after painting should be same with drawing
- There is no defect on painting
- Paint thickness assumed 0.5 mm
- Left Cabinet shown and Right Cabinet is mirrored by Left Cabinet

BOARD (G)



- NOTE:
- All dimensions are before painting except depth
 - Depth dimensions after painting should be same with drawing
 - There is no defect on painting
 - Paint thickness assumed 0.5 mm
 - Left Cabinet shown and Right Cabinet is mirrored by Left Cabinet

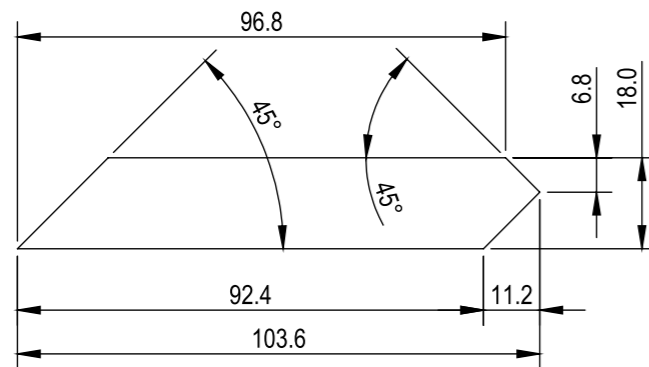
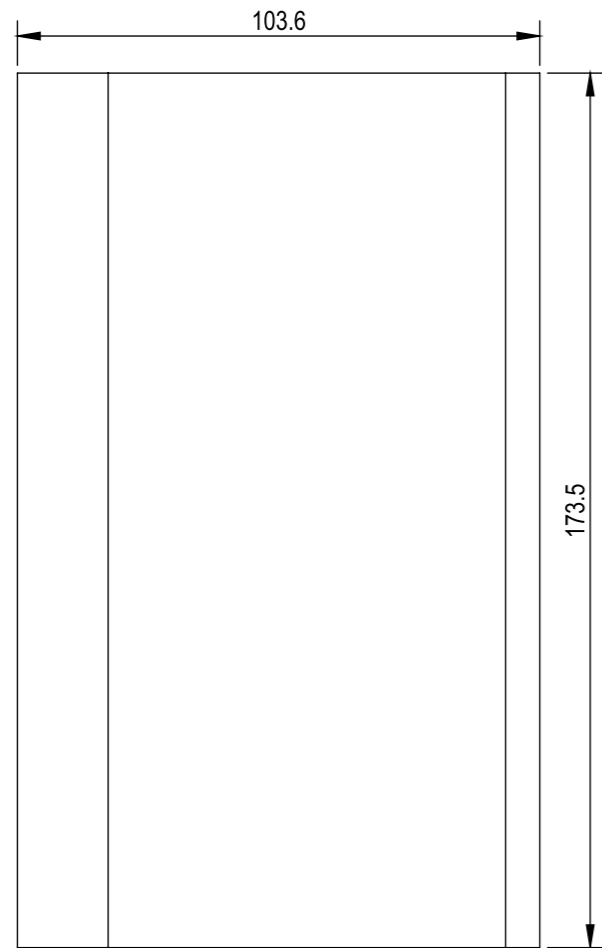
BOARD (J)



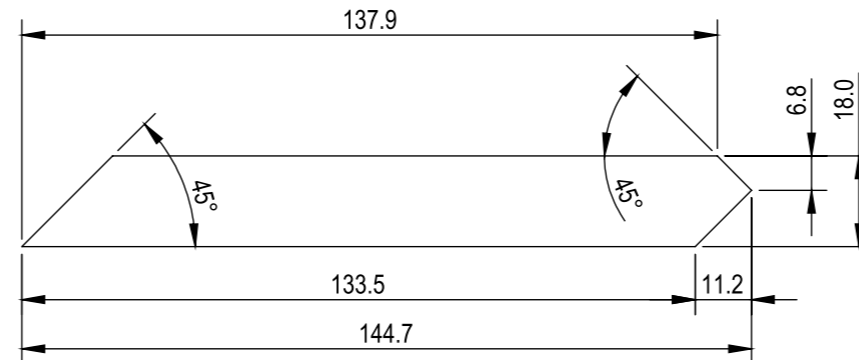
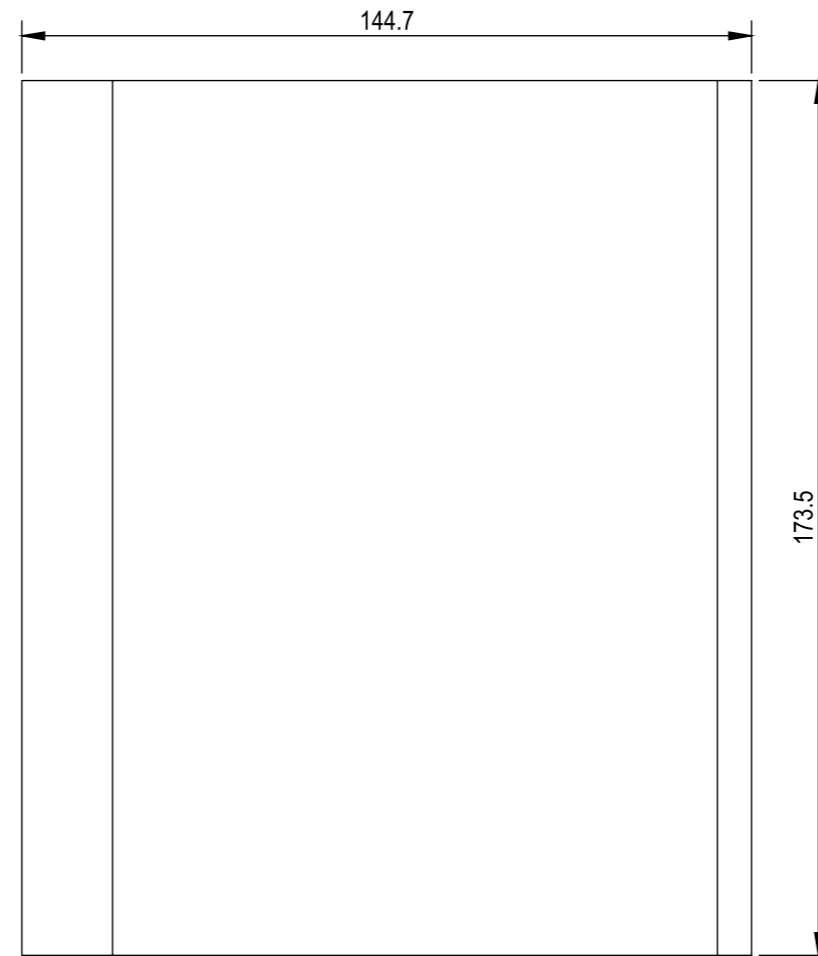
NOTE:

- All dimensions are before painting except depth
- Depth dimensions after painting should be same with drawing
- There is no defect on painting
- Paint thickness assumed 0.5 mm
- Left Cabinet shown and Right Cabinet is mirrored by Left Cabinet

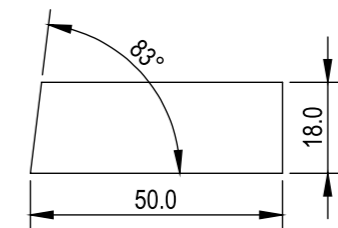
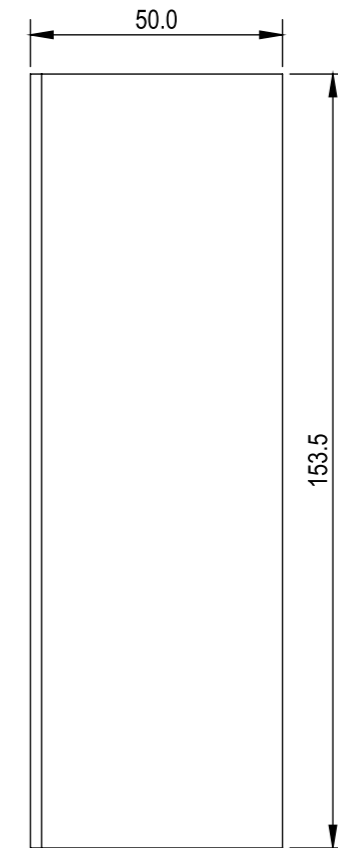
BOARD (K)
VERTICAL BRACE



BOARD (L)
VERTICAL BRACE



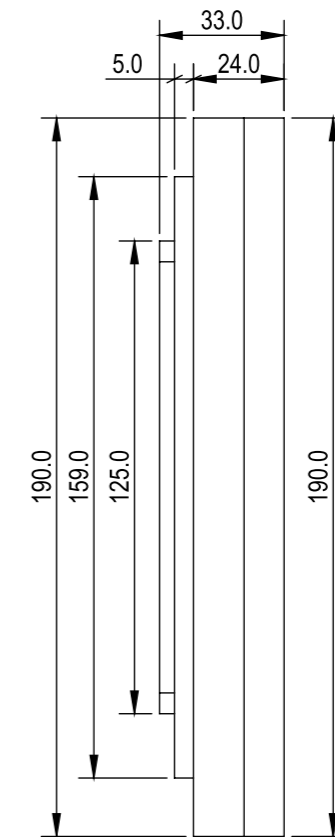
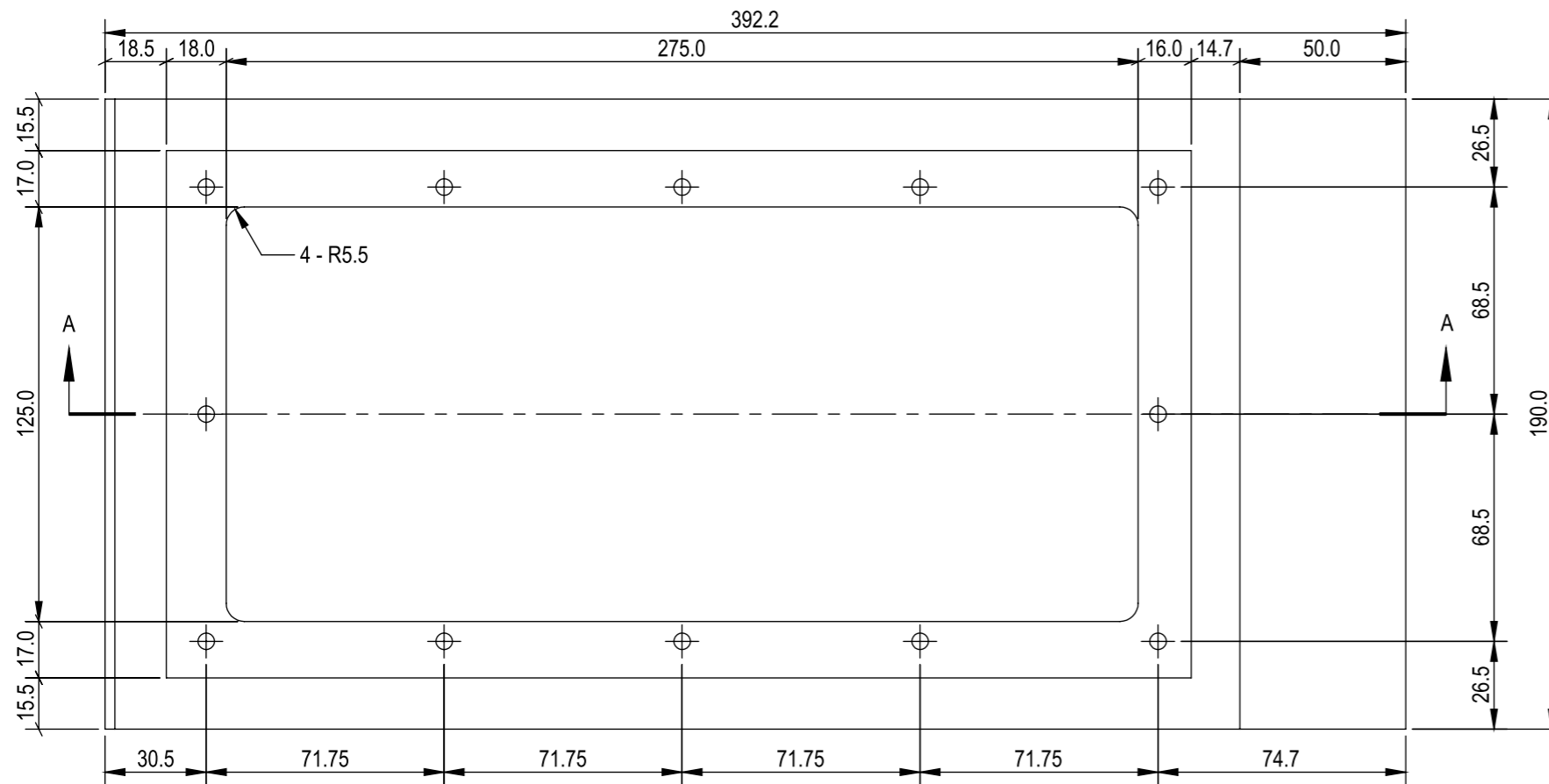
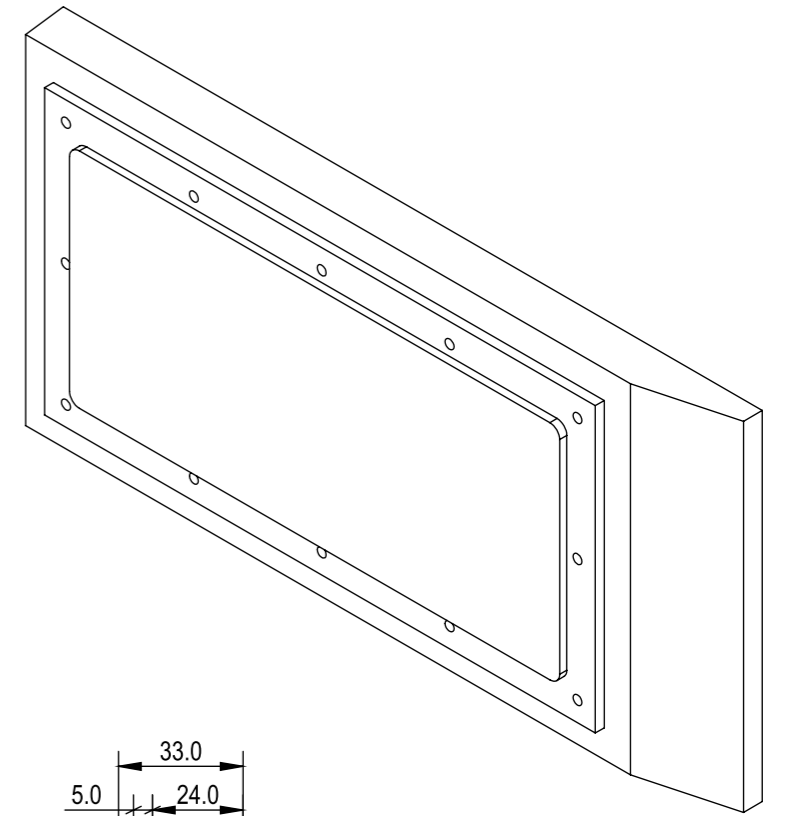
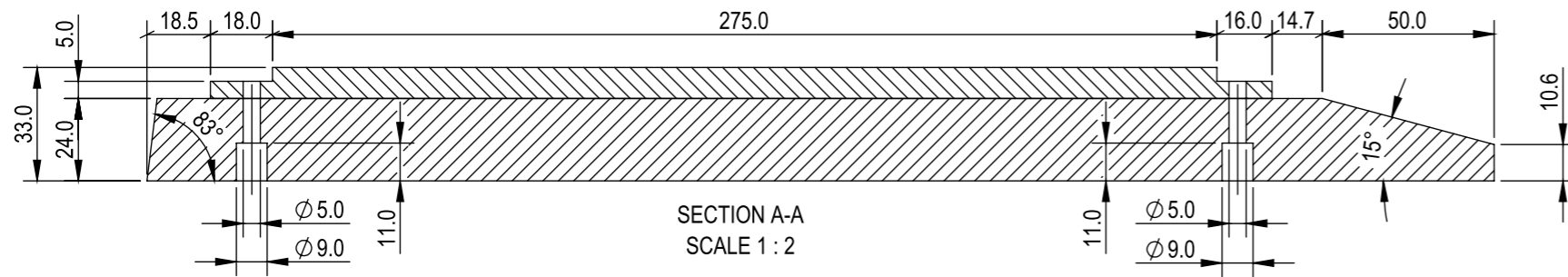
BOARD (M)
TOP BRACE



NOTE:

- All dimensions are before painting except depth
- Depth dimensions after painting should be same with drawing
- There is no defect on painting
- Paint thickness assumed 0.5 mm
- Left Cabinet shown and Right Cabinet is mirrored by Left Cabinet

BOARD (N)



NOTE:

- All dimensions are before painting except depth
- Depth dimensions after painting should be same with drawing
- There is no defect on painting
- Paint thickness assumed 0.5 mm