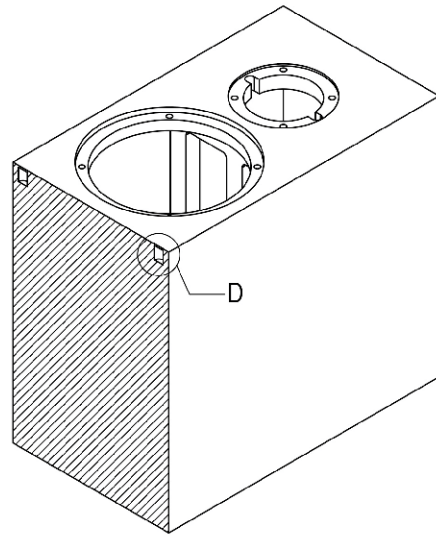
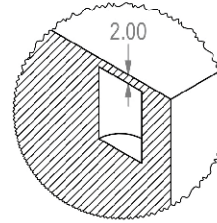


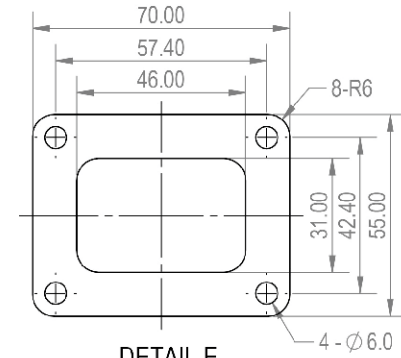
SECTION B-B
SCALE 1 : 4



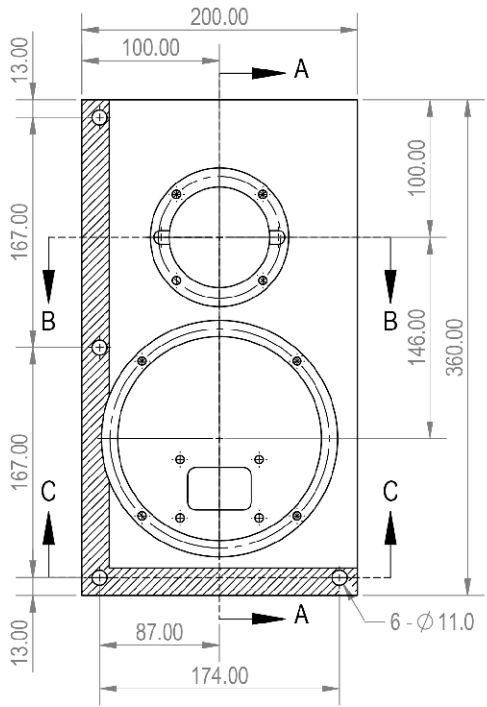
SECTION C-C



DETAIL D
SCALE 1 : 1



DETAIL E
SCALE 2 : 3



SECTION A-A
SCALE 1 : 4

