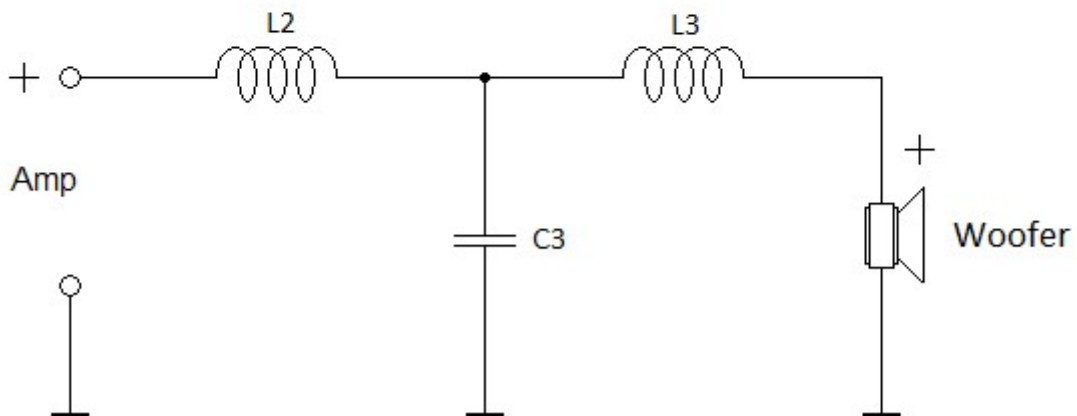
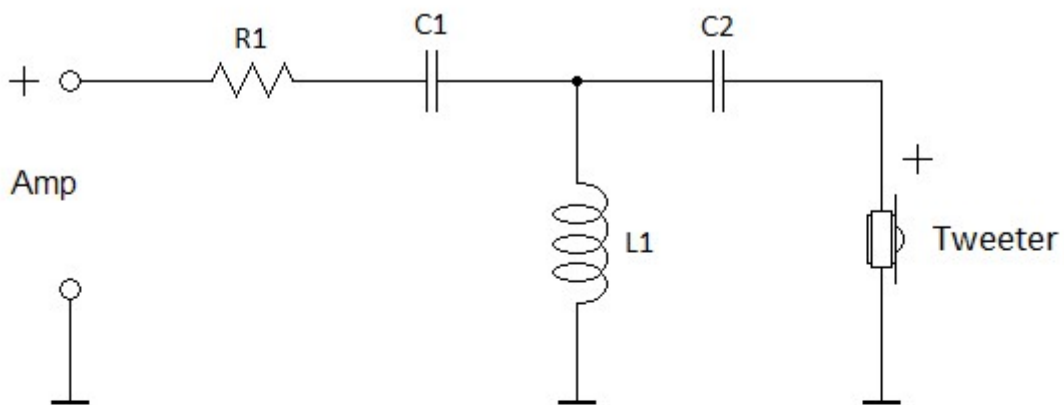


Crossovers for PFC/PAC coaxial drivers

These are simple crossovers that work well with SB Acoustics PFC/PAC coaxial drivers. Response curves are optimized 15° off-axis. Equalization networks can be used to tweak the response, depending on the application, but such networks are not strictly necessary. The crossovers shown here ensure good summation between the drivers. Crossover frequencies are about 2100-2200 Hz.



Component values							
Driver	R1	C1	C2	L1	L2	L3	C3
SB12*	2.2 Ω	5.6 μF	15 μF	0.22 mH	1.5 mH	0.39 mH	15 μF
SB13*	1.5 Ω	5.6 μF	15 μF	0.22 mH	1.5 mH	0.22 mH	15 μF
SB16*	1.5 Ω	5.6 μF	15 μF	0.22 mH	1.5 mH	0.22 mH	15 μF
SB12PAC25-4-COAX	3.3Ω	4.7 μF	18μF	0.22 mH	1.8 mH	0.22 mH	22 μF

* ...PFC25-4-COAX