

1

2

3

4

A

A

B

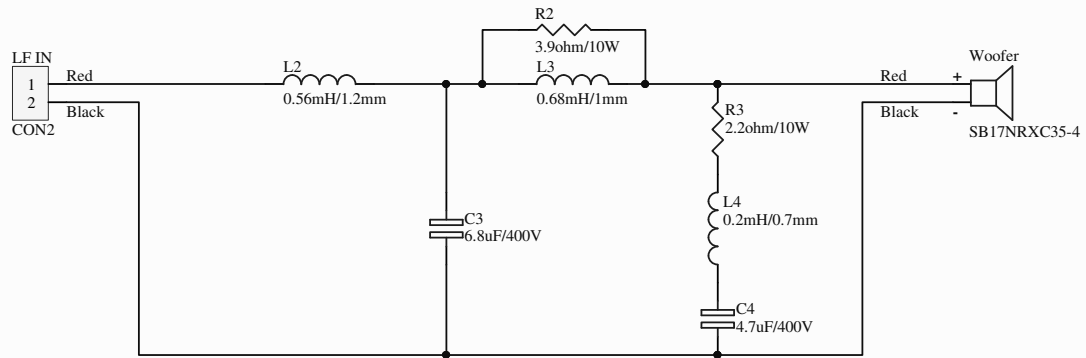
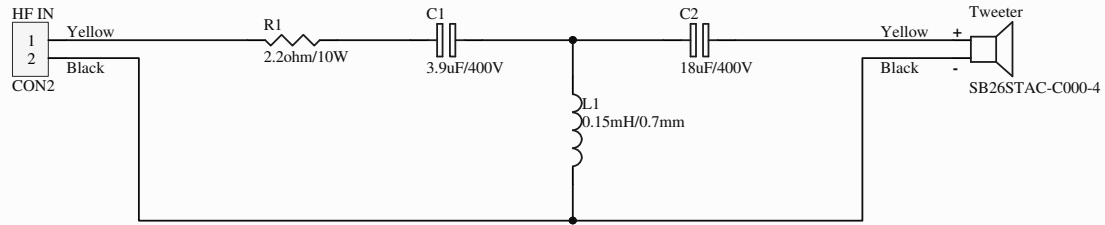
B

C

C

D

D



Title		
SBA Eka		
Size	Number	Revision
A4		
Date:	03-May-17	Sheet of
File:	D:\My Documents\...SBA Eka.SchDoc	Drawn By:

1

2

3

4