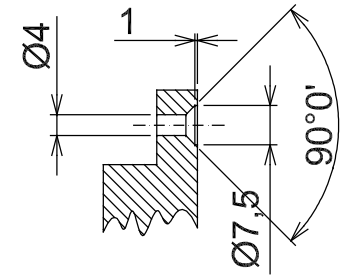
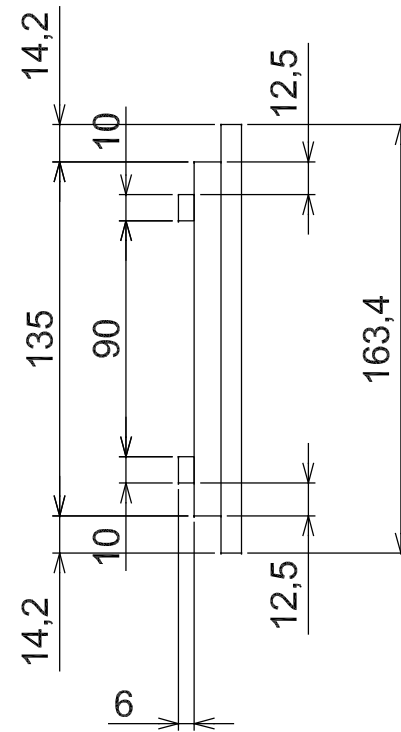
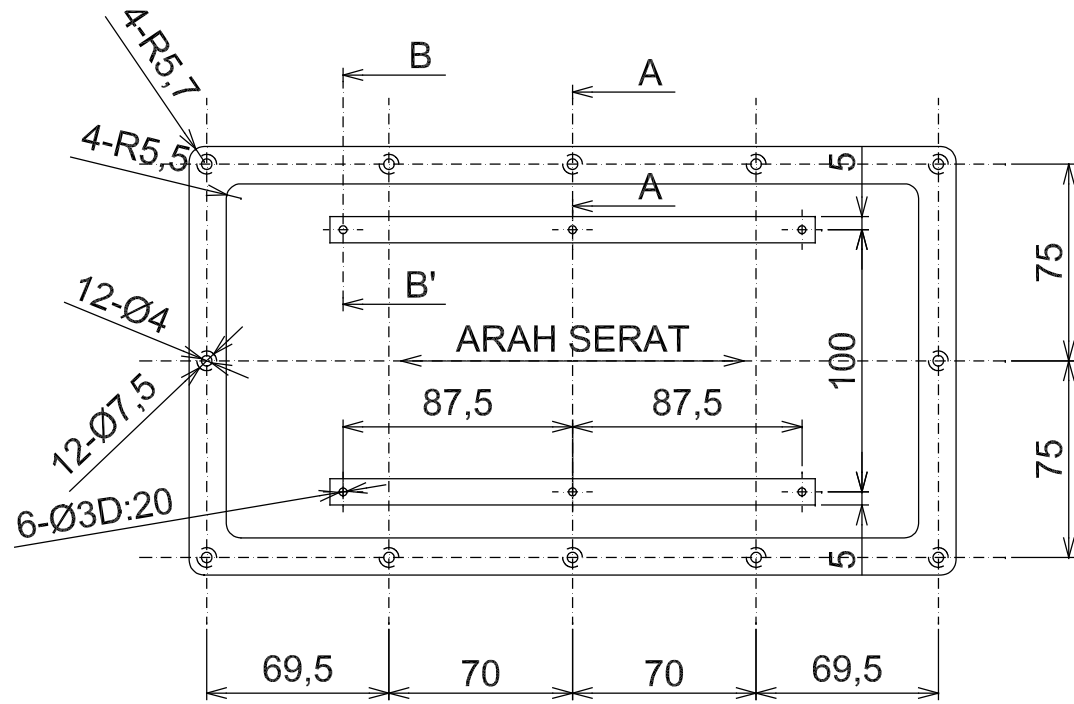
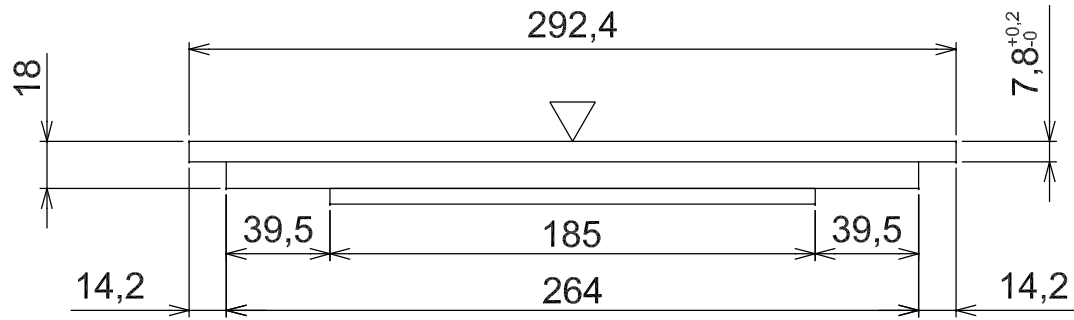


PAPER PORT  
 $\varnothing$ 1.97 X L=6.3IN  
 PORT FLARE  $\varnothing$ 1.97  
 QTY:2PCS

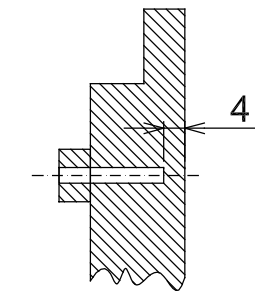
DAMPING MATERIAL B  
 DACRON TYPE 9oz  
 SIZE:11.57X6.79  
 QTY:2PCS  
 USED FOR BOTH SIDES

DAMPING MATERIAL C  
 DACRON TYPE 9oz  
 SIZE:4.67X6.46  
 QTY:2PCS  
 USED FOR BACK SIDE

DAMPING MATERIAL A  
 DACRON TYPE 9oz  
 SIZE:11.57X6.46  
 QTY:3PCS



A-A'  
SCALE : 2 : 1



B-B'  
SCALE : 2 : 1

